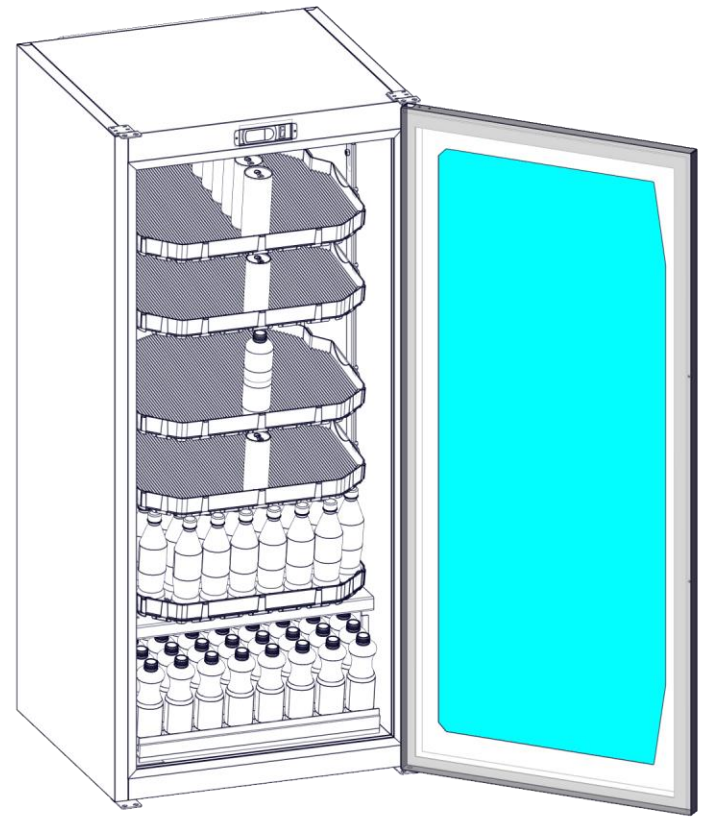
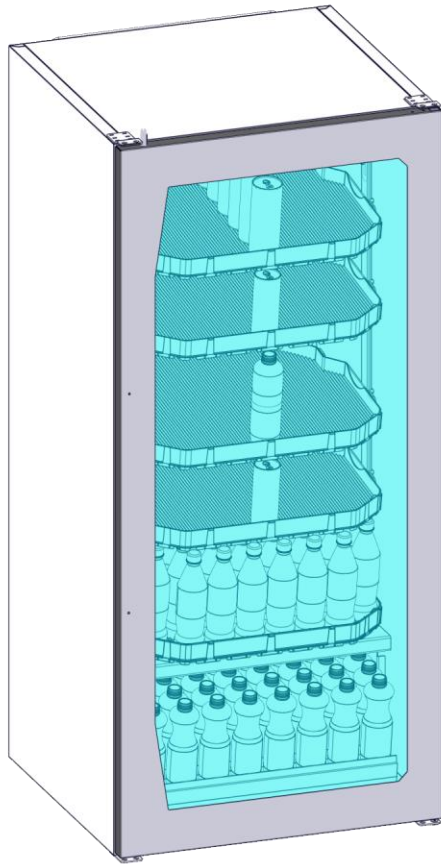


# Installation manual

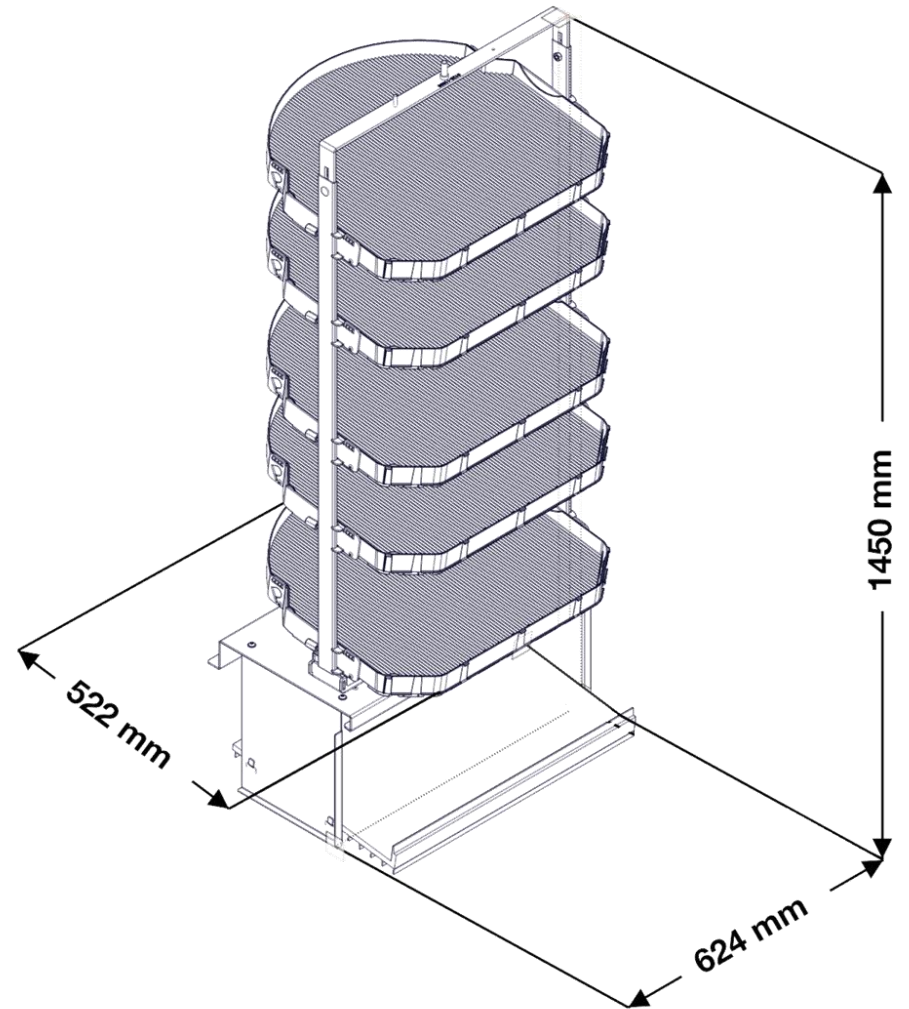
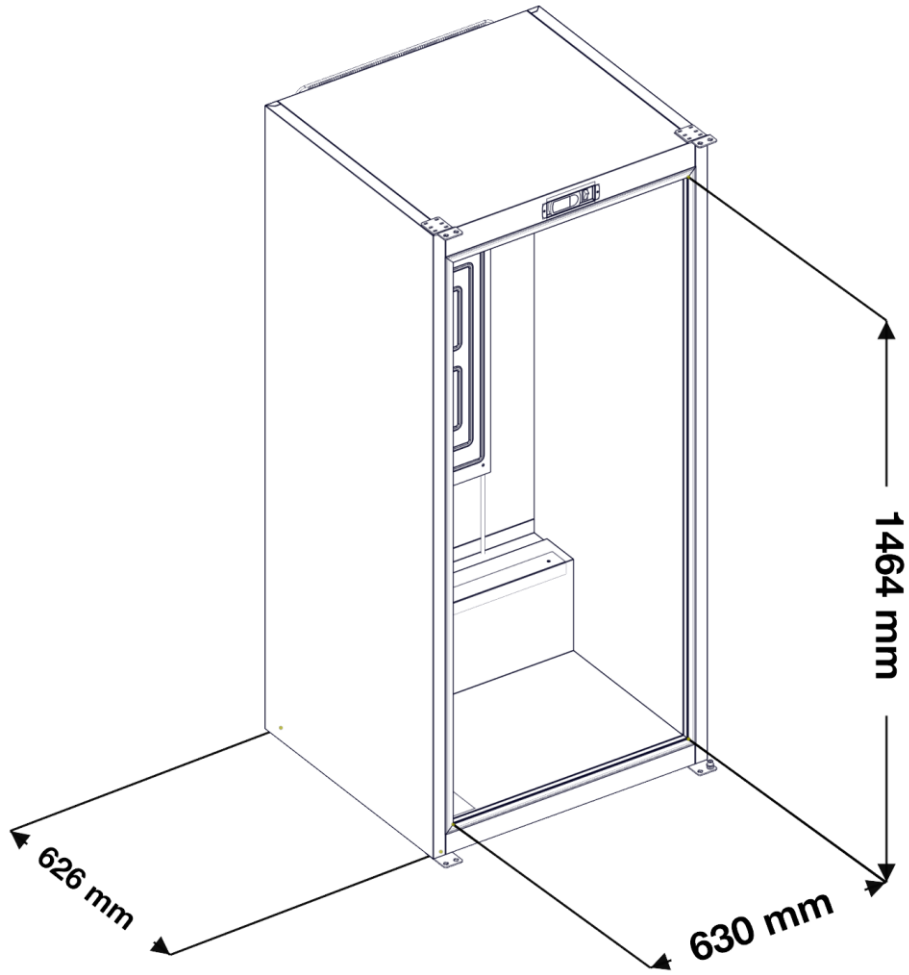
## ML 705



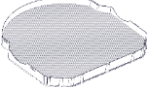







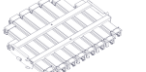











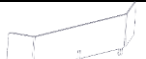



# ML-705

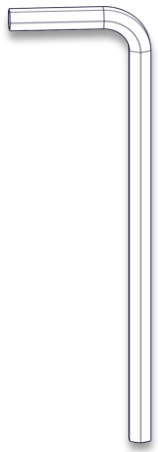
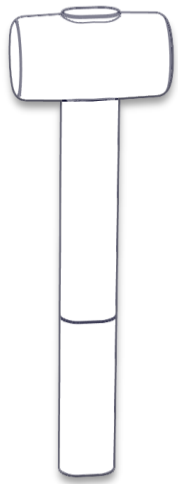


# ML-705



ML 705 packing details						PARTS					ML 705 packing details						PARTS								
SET Art. No	Picture	Product name	Art. No	Weight/ item	Qty.	SET Art. No	Picture	Product name	Art. No	Weight/ item	Qty.	SET Art. No	Picture	Product name	Art. No	Weight/ item	Qty.	SET Art. No	Picture	Product name	Art. No	Weight/ item	Qty.		
		Frame RotoShelf FA - Top part	0120-16000-0	1,500 kg	1	0120-25000-0		Shelf 70 Housing	0120-25100-0	1,640 kg	1			Shelf 70 universal white	400418	1,195 kg	1			PLASTLABEL RS90F11 585*37*0,8	400450		1		
		Frame RotoShelf FA - bottom part Cooler	0148-01000-0	11,000 kg	1				Frontstop universal 70, H 94 mm	400431	0,190 kg	1			Divider Uni 70-90 white	400393	0,044 kg	7							
		Frame RotoShelf FA - side part (1039 mm)	0148-10007-0	1,400 kg	2																				
		Connecting mat. For Frame RotoShelf FA	0120-19000-0	0,100 kg	1																				
		Allen key	0000-0013	kg	1																				
		Standard TopSlider Shelf FA ø 66(16.9oz, 500 ml)	0120-43000-0	3,400 kg	1				Standard TopSlider Shelf FA ø 74(20 oz, 591 ml)	0120-32000-0	3,300 kg	1													
ML 705 packing details						ACCESSORIES					ML 705 packing details						ACCESSORIES								
Picture	Product name	Art. No	Weight/ item	Qty.	Picture	Product name	Art. No	Weight/ item	Qty.	Picture	Product name	Art. No	Weight/ item	Qty.	Picture	Product name	Art. No	Weight/ item	Qty.	Picture	Product name	Art. No	Weight/ item	Qty.	
	Shelf 70 Housing	0120-25100-0	1,640 kg	1		Price List		0,050 kg	1																
	Shelf 70 universal white	400418	1,195 kg	1		Divider extender L=483 mm	889090	0,030 kg	1																
	Divider Uni 70-90 white	400393	0,044 kg	1		Pusher	0118-00000-0	0,050 kg	1																
	Frontstop universal 70, H 94 mm	400431	0,190 kg	1		Rollertrack	400392	0,150 kg	1																
	Frontstop universal 70, H 54 mm	400603	0,112 kg	1		PLASTLABEL RS90F11 585*37*0,8	400450		1																
	Frontstop universal 70, H 145 mm	400606	0,300 kg	1		Frontstop UNIVERSAL 620 High 95x615x4 mm	400436		1																





4 mm  
0000-0013



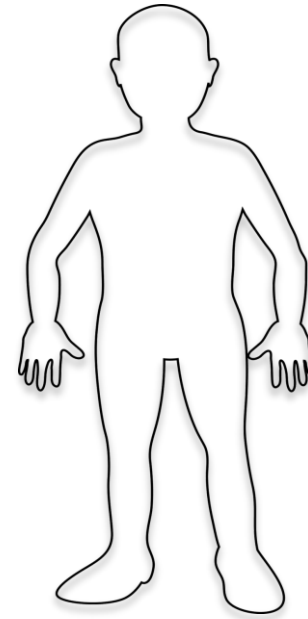
13 mm



17 mm



LocTite  
Super  
Glue



ISO 7380 -2  
M4 x 10  
(3x)



M 8x16  
(2x)



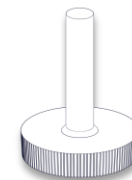
M 10x40  
(1x)



M 8  
(2x)

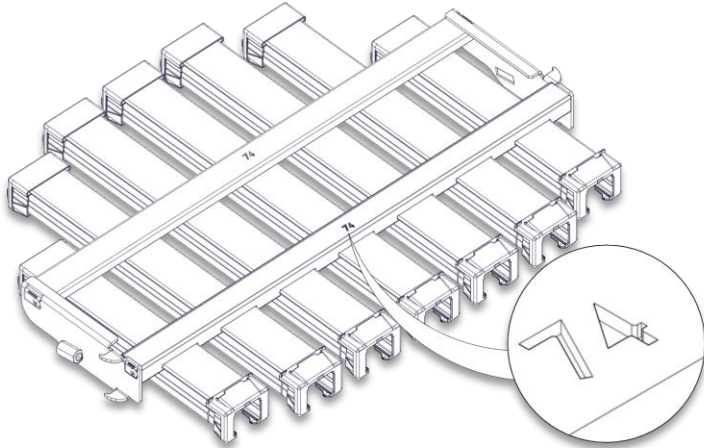


Art. n.  
0000-0006  
(1x)

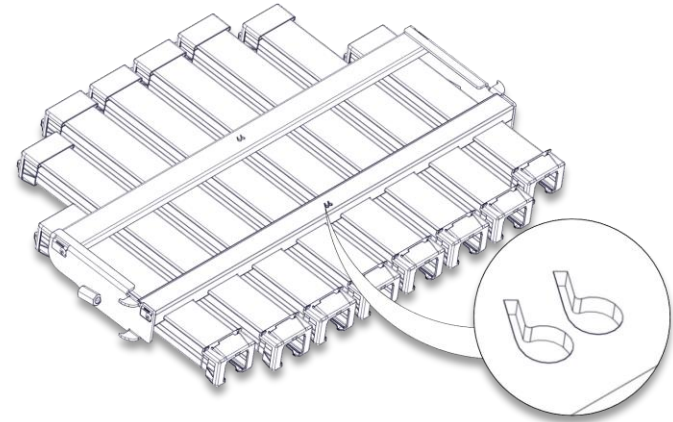


71-25  
M 6x30  
(1x)

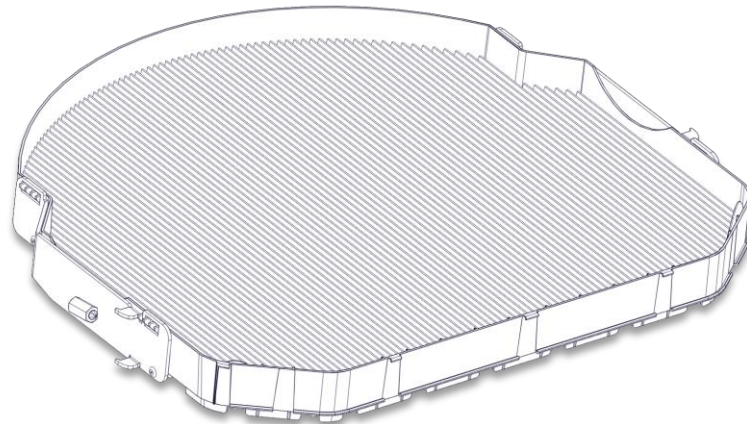
**Standart - TopSlider Shelf FA**  
**Art.N. 0120 - 32000 - 0**



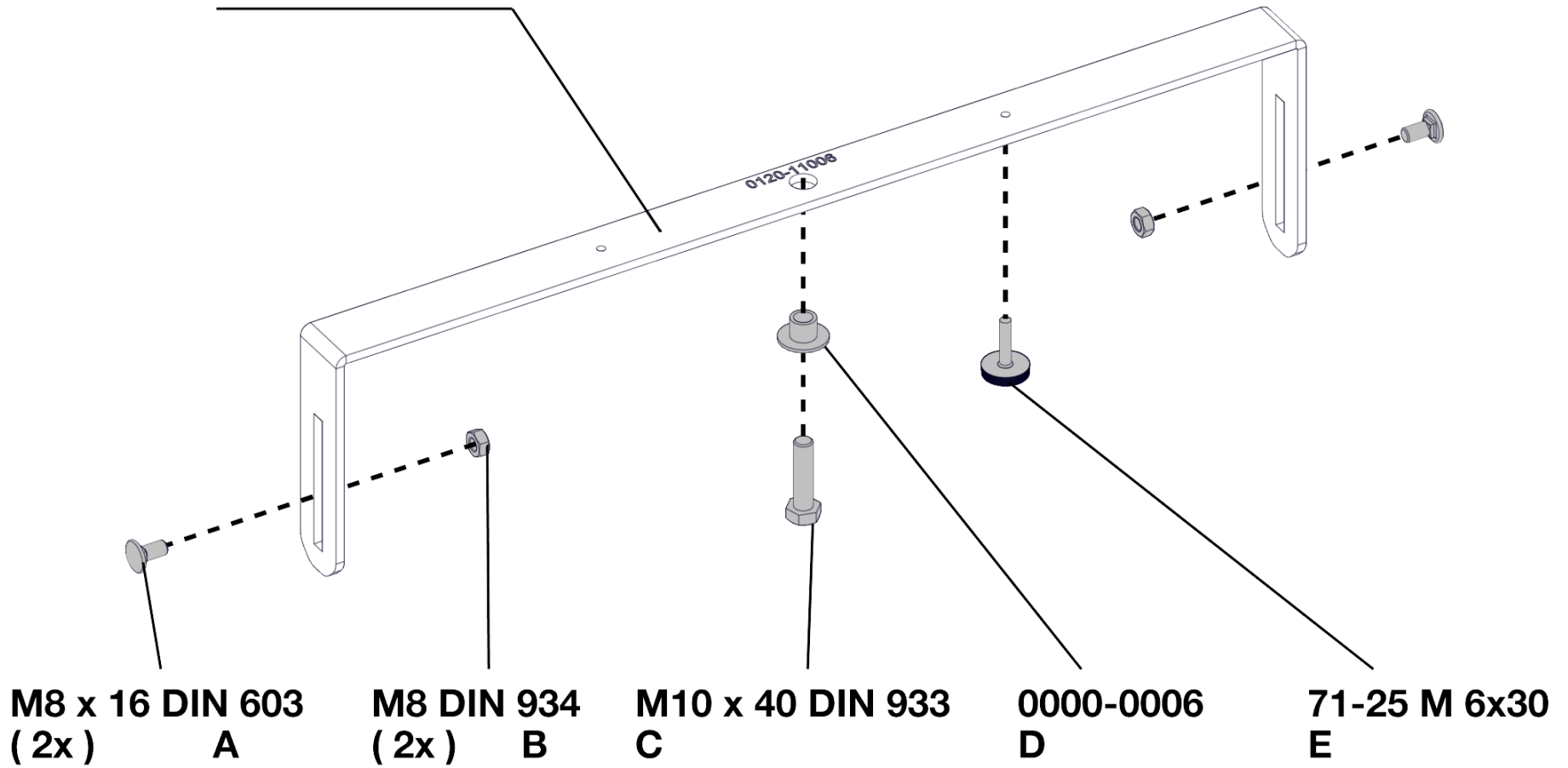
**Standart - TopSlider Shelf FA**  
**Art.N. 0120 - 43000 - 0**










**Shelf 70 Universal**  
**Art.N. 0120 - 25000 - 0**



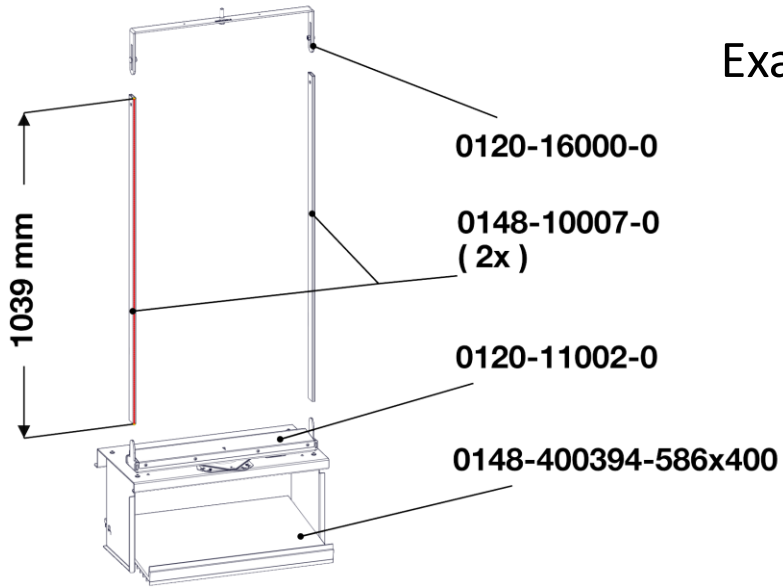
**0120-11006-0**



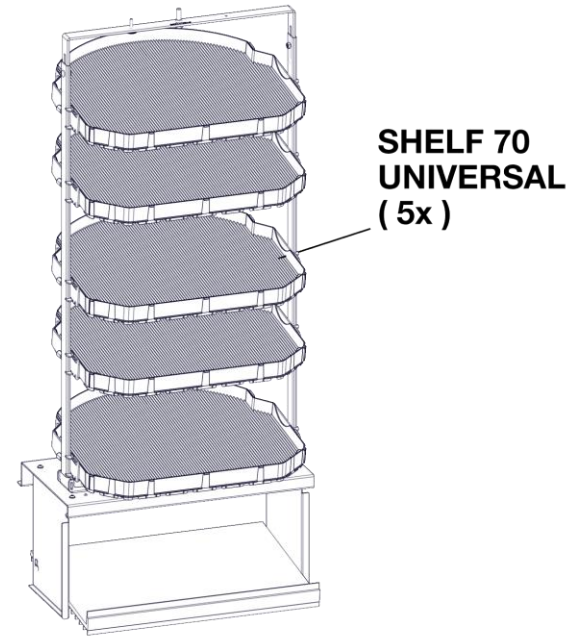
<b>A</b>	<b>B</b>	<b>C</b>	<b>D</b>	<b>E</b>	<b>M4x10</b>	<b>4mm</b>
						
					<b>3x</b>	



**0148 - 19000 - 0**

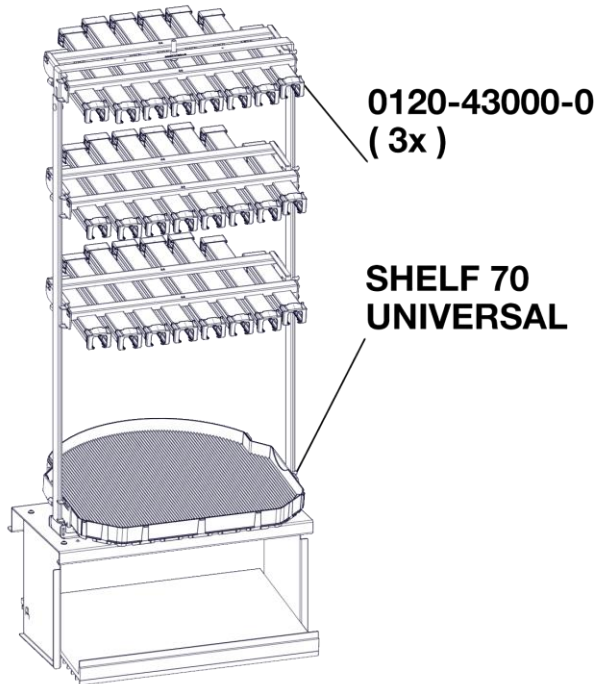


Example.1



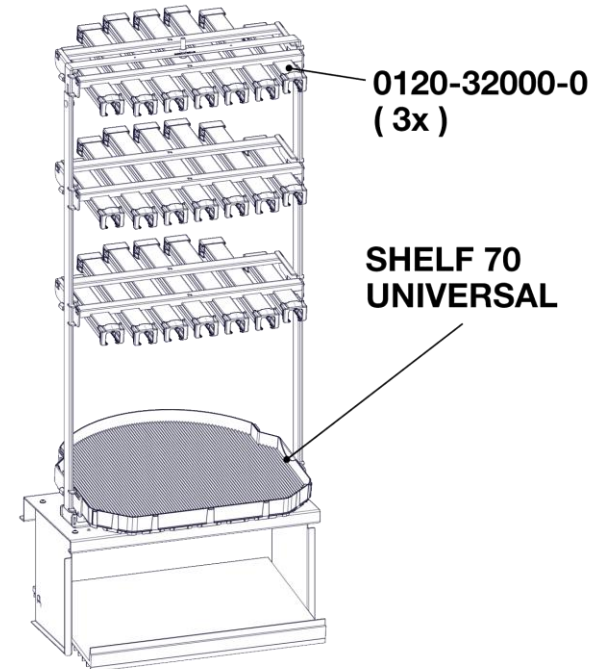
Example.2

A:

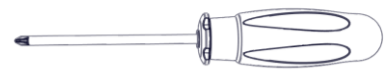
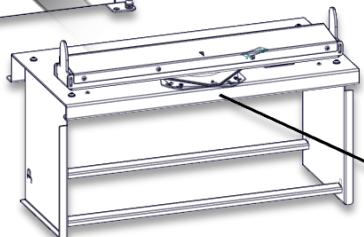
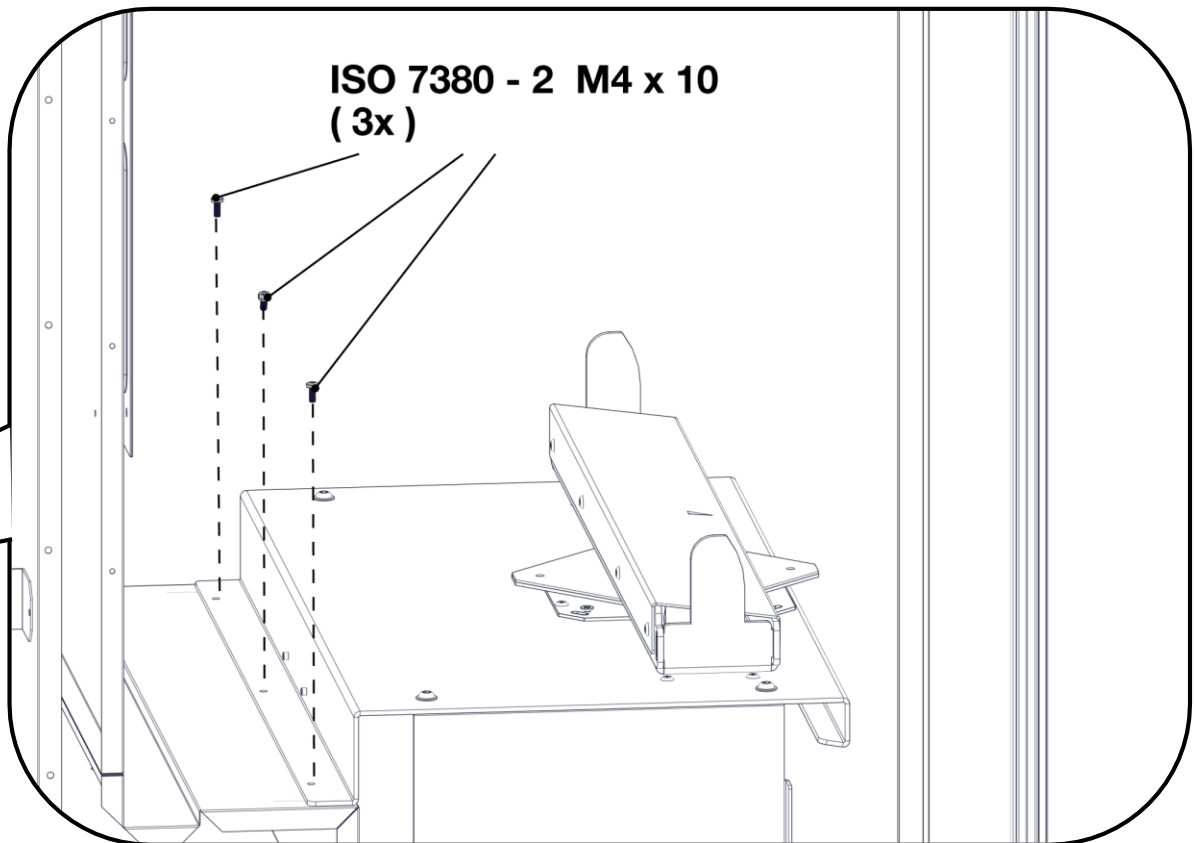
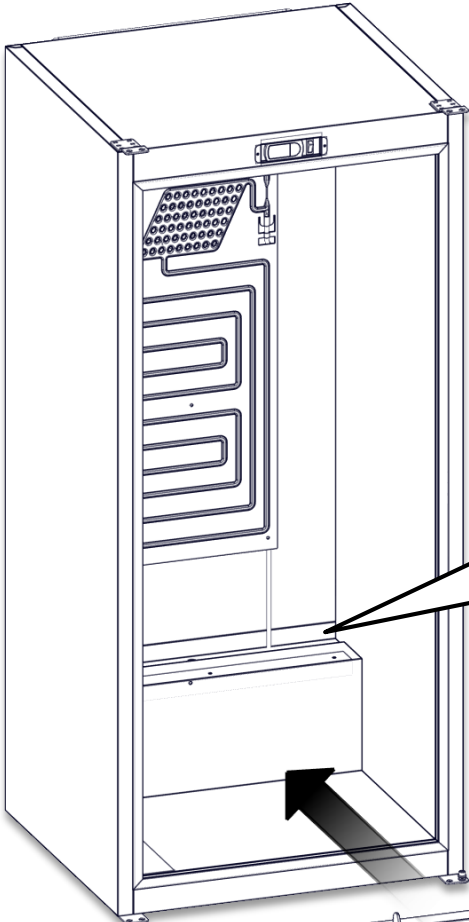


Example.2

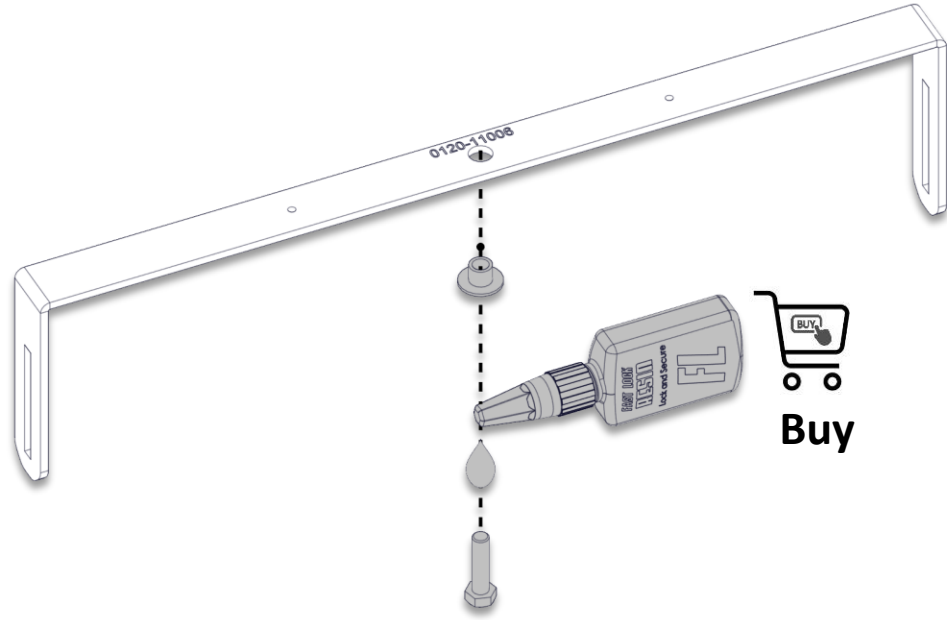
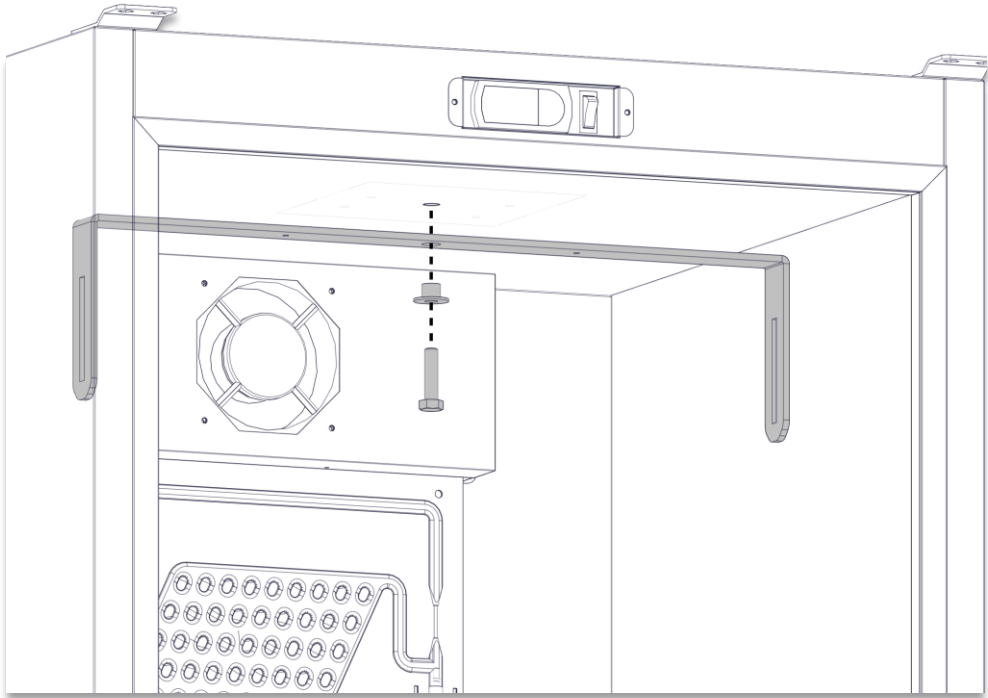
B:



1.



2.

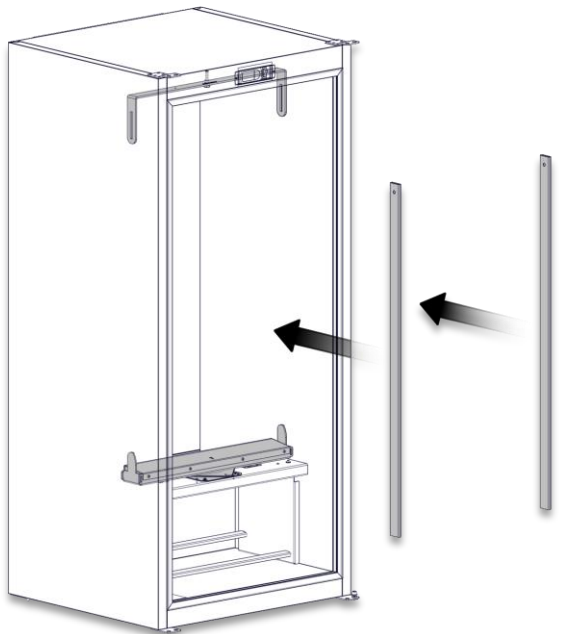


17 mm

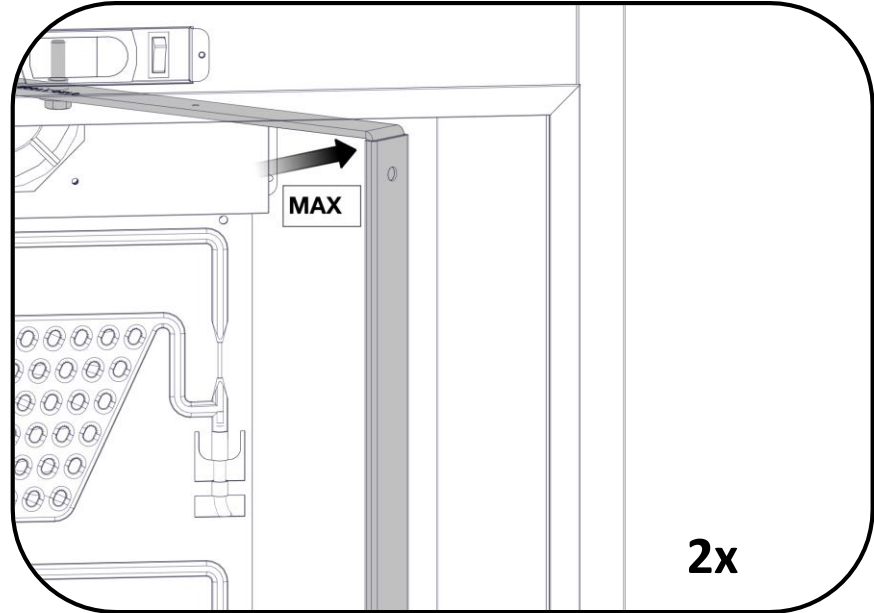
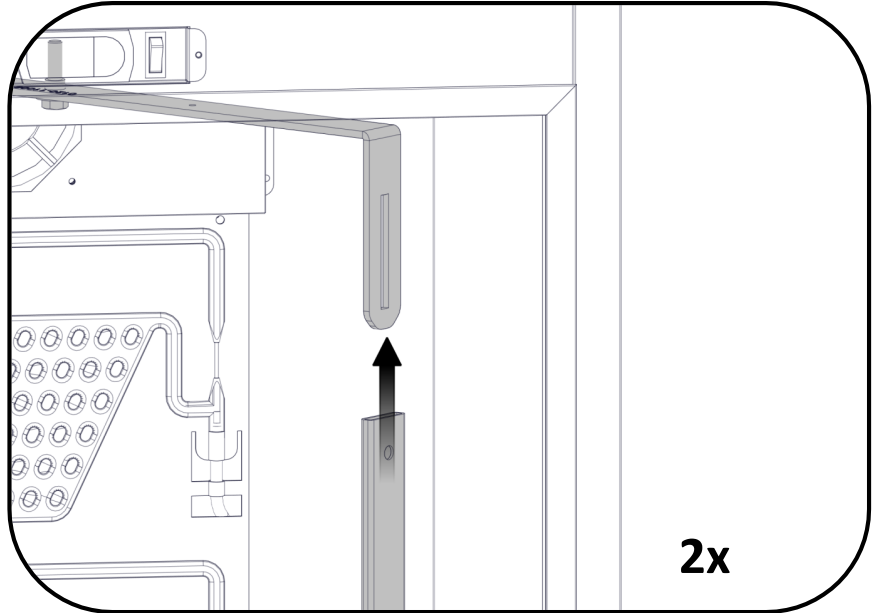
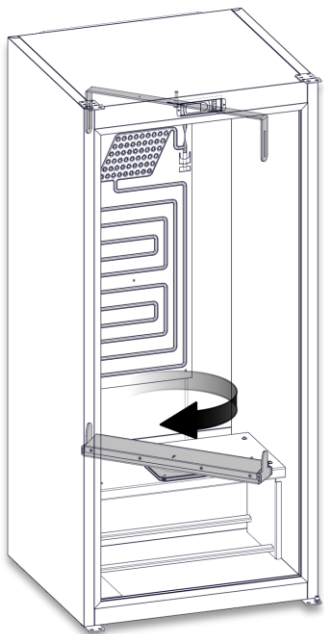
10



3.

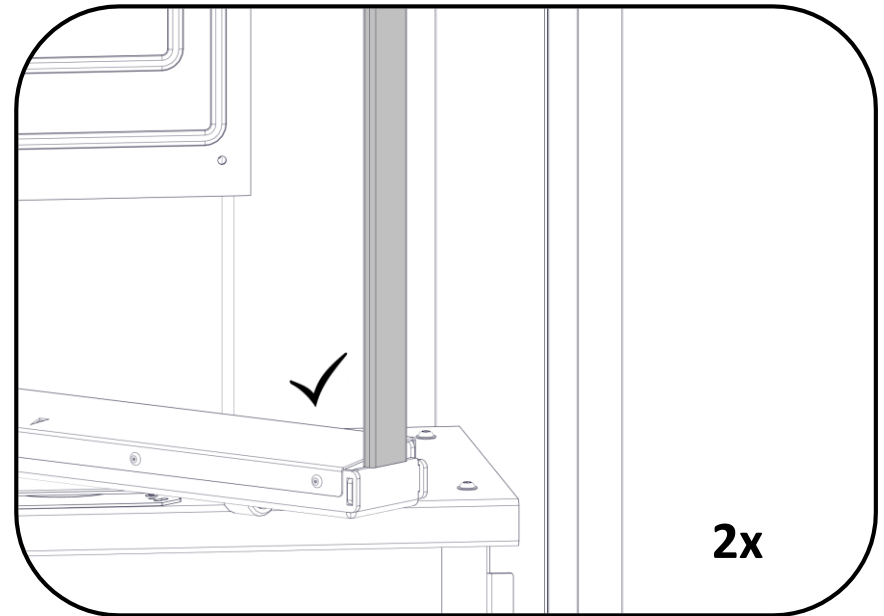
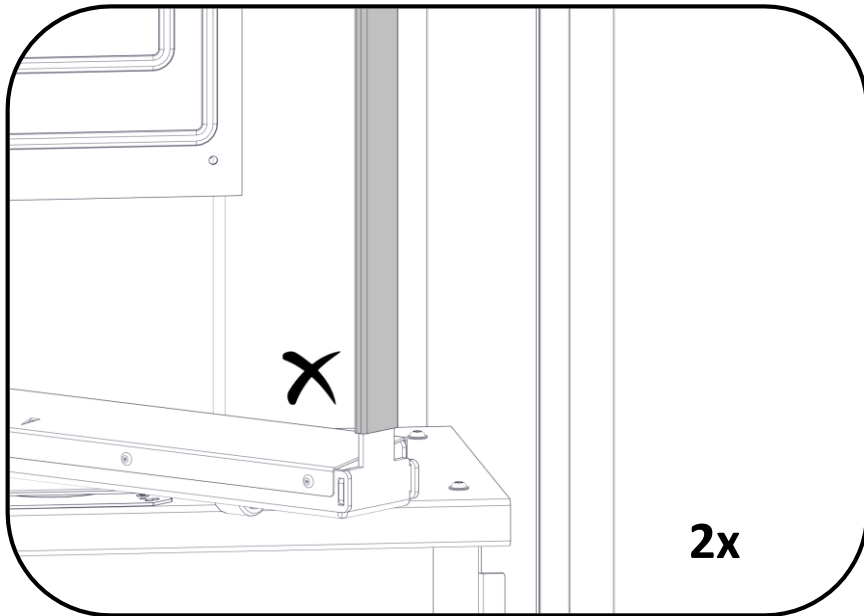
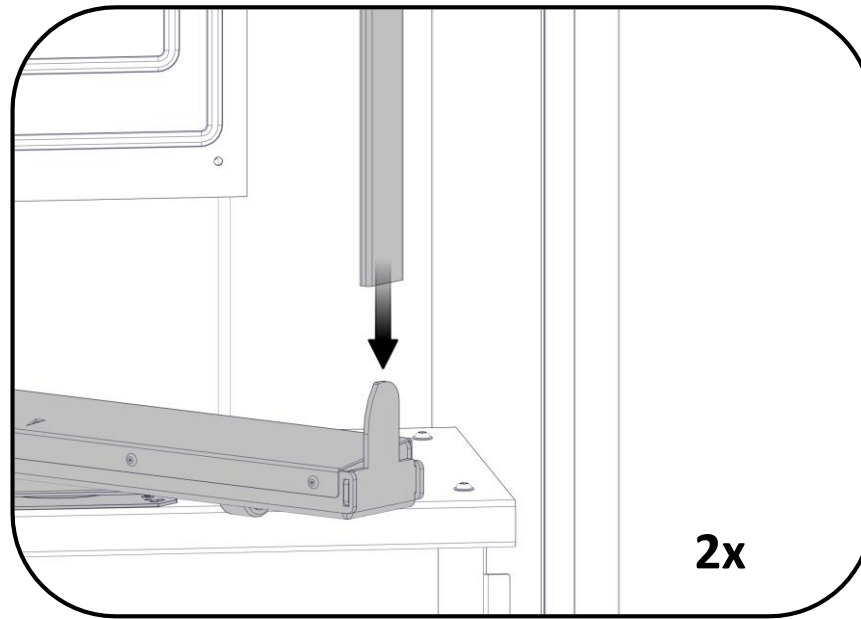


4.

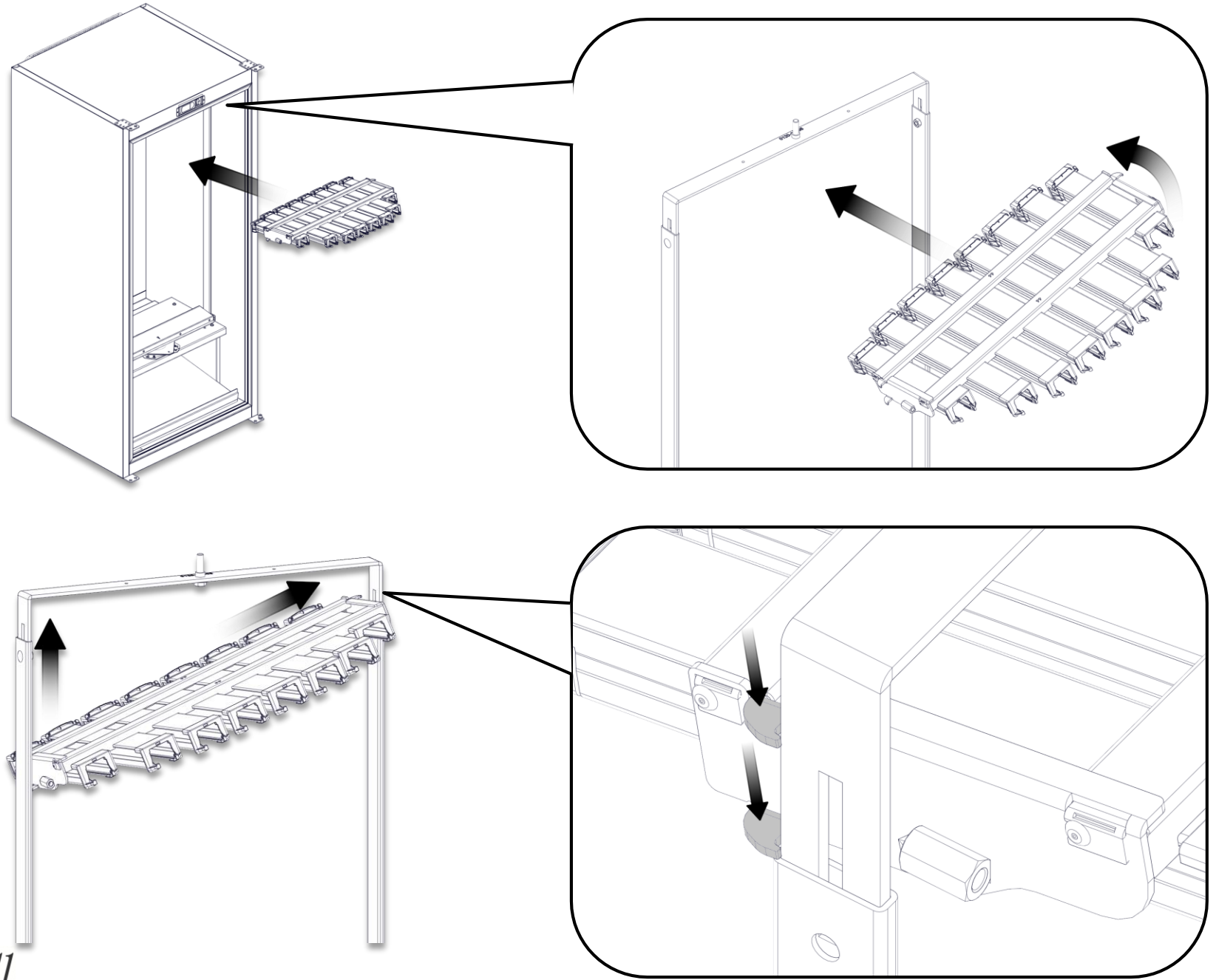




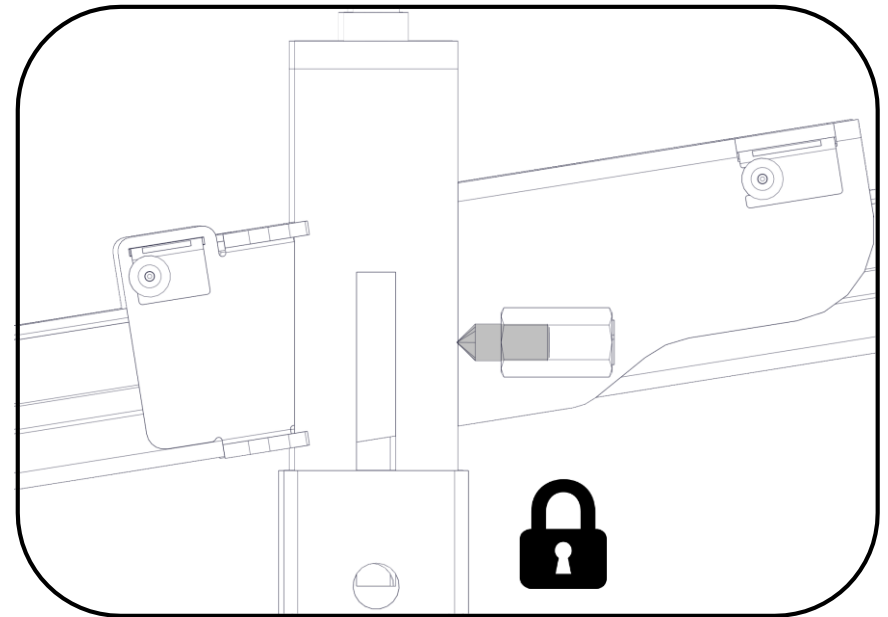
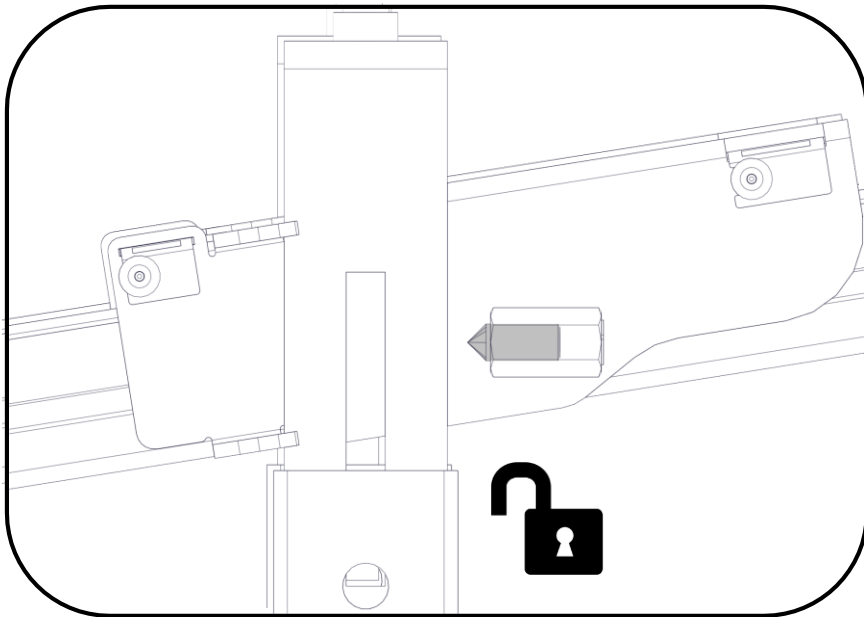
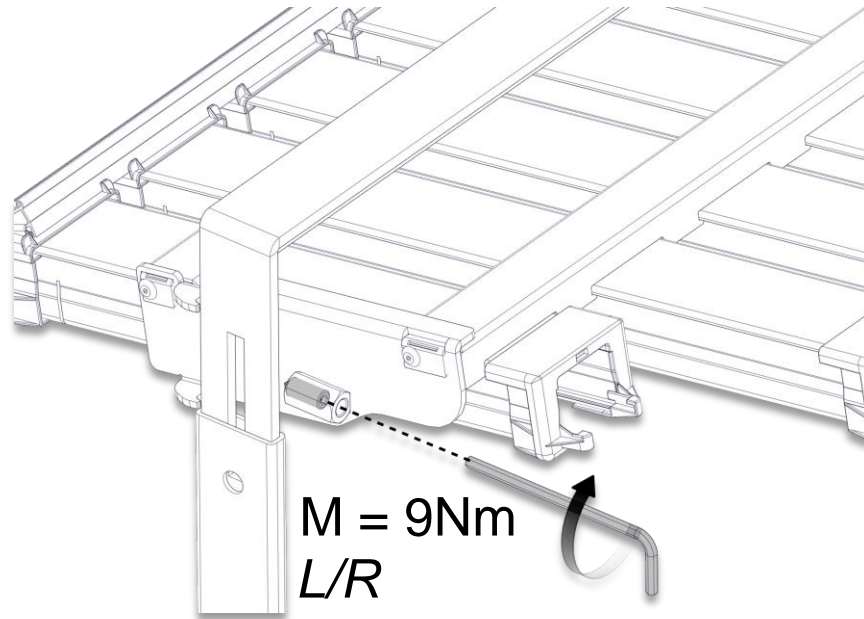
5.



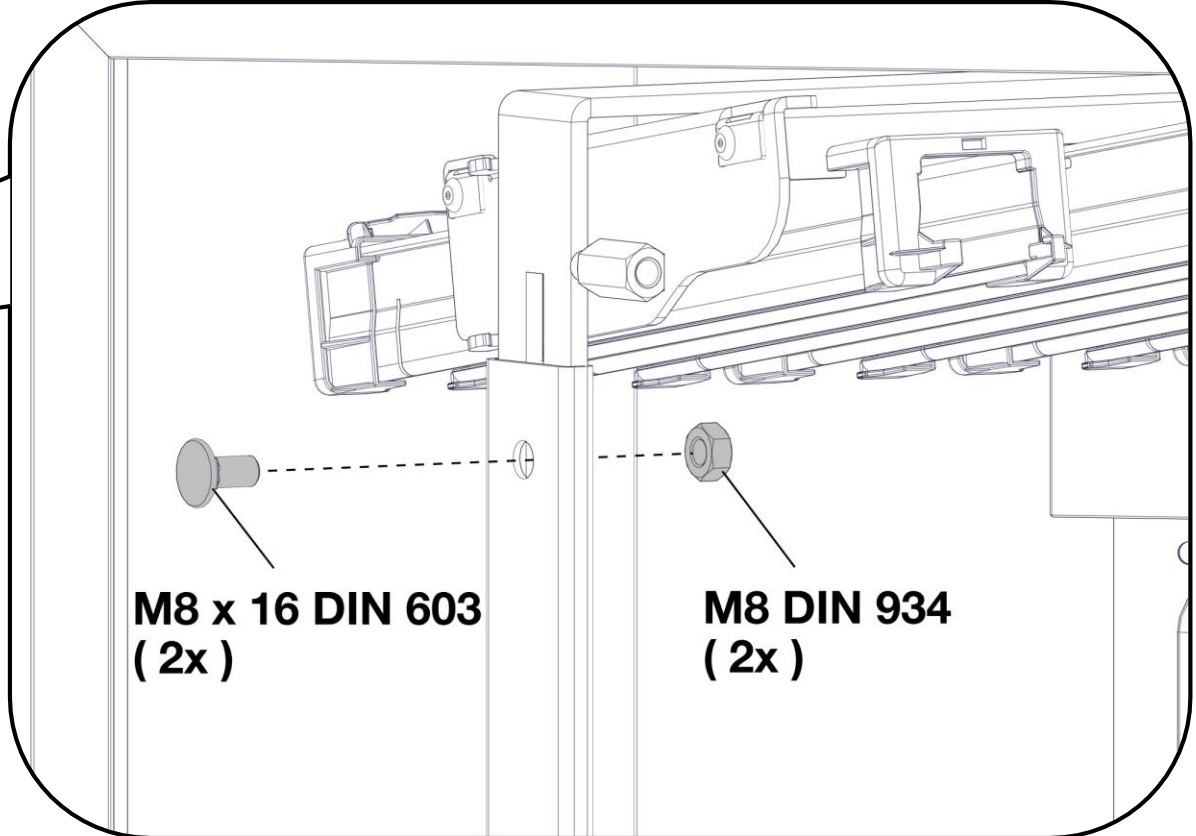
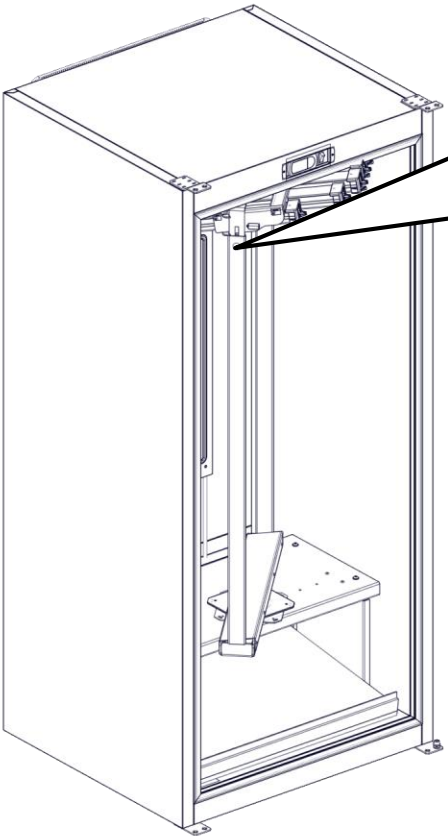
6.



7.



8.



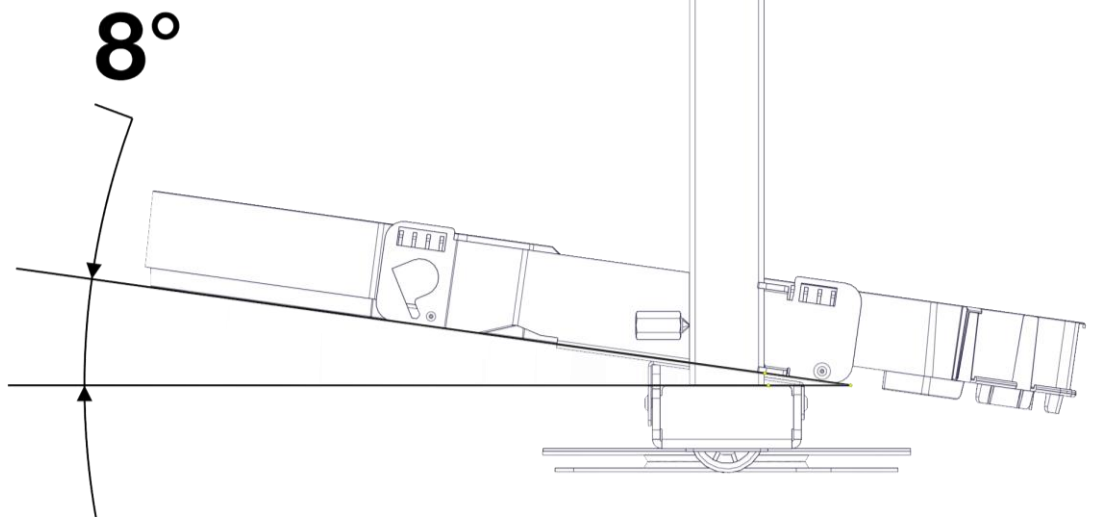
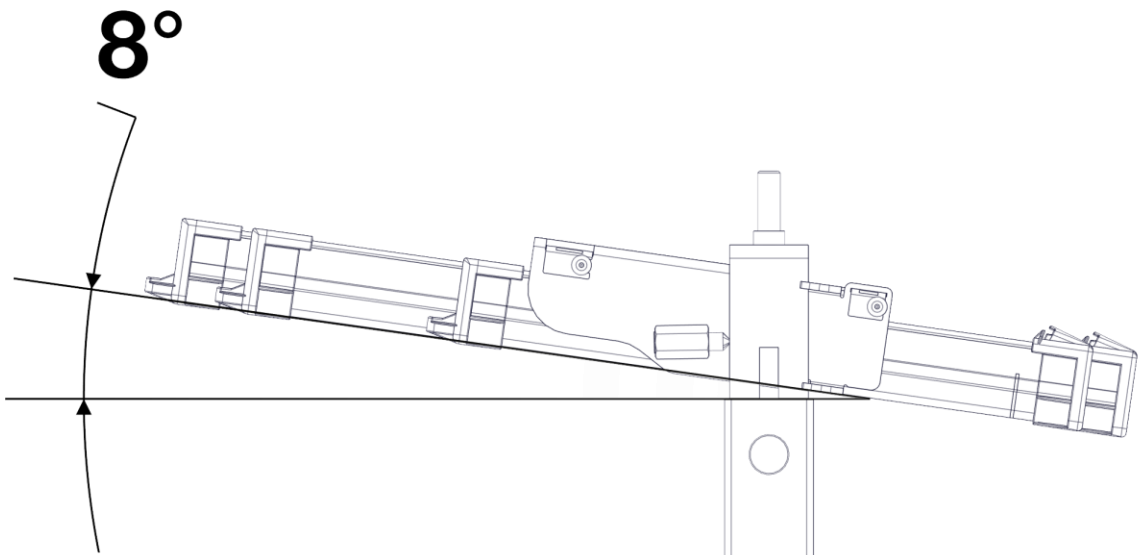
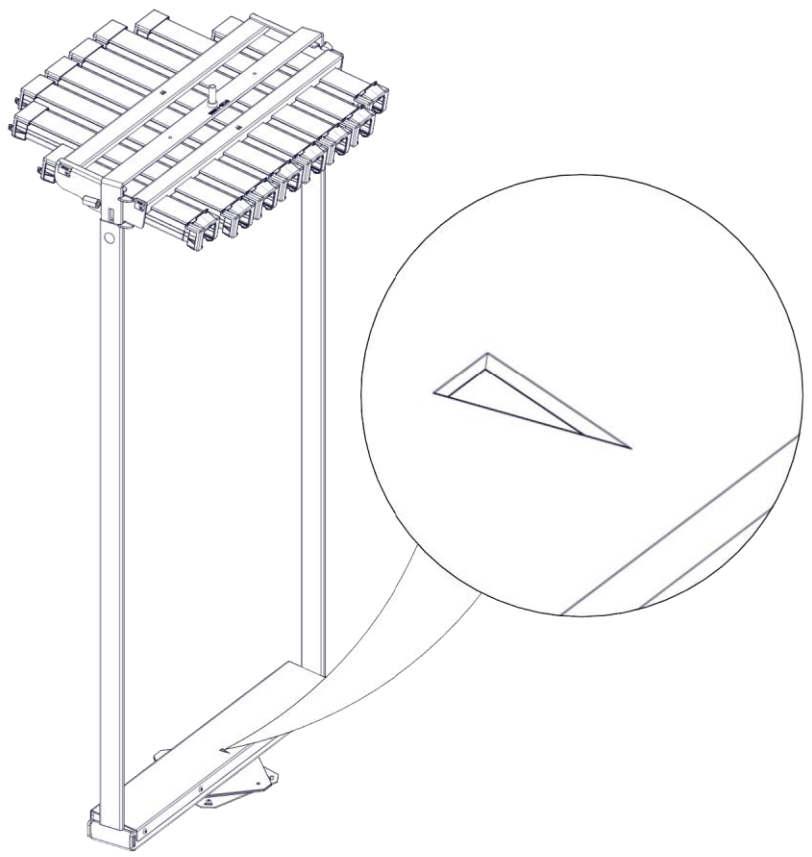
**M8 x 16 DIN 603  
( 2x )**

**M8 DIN 934  
( 2x )**

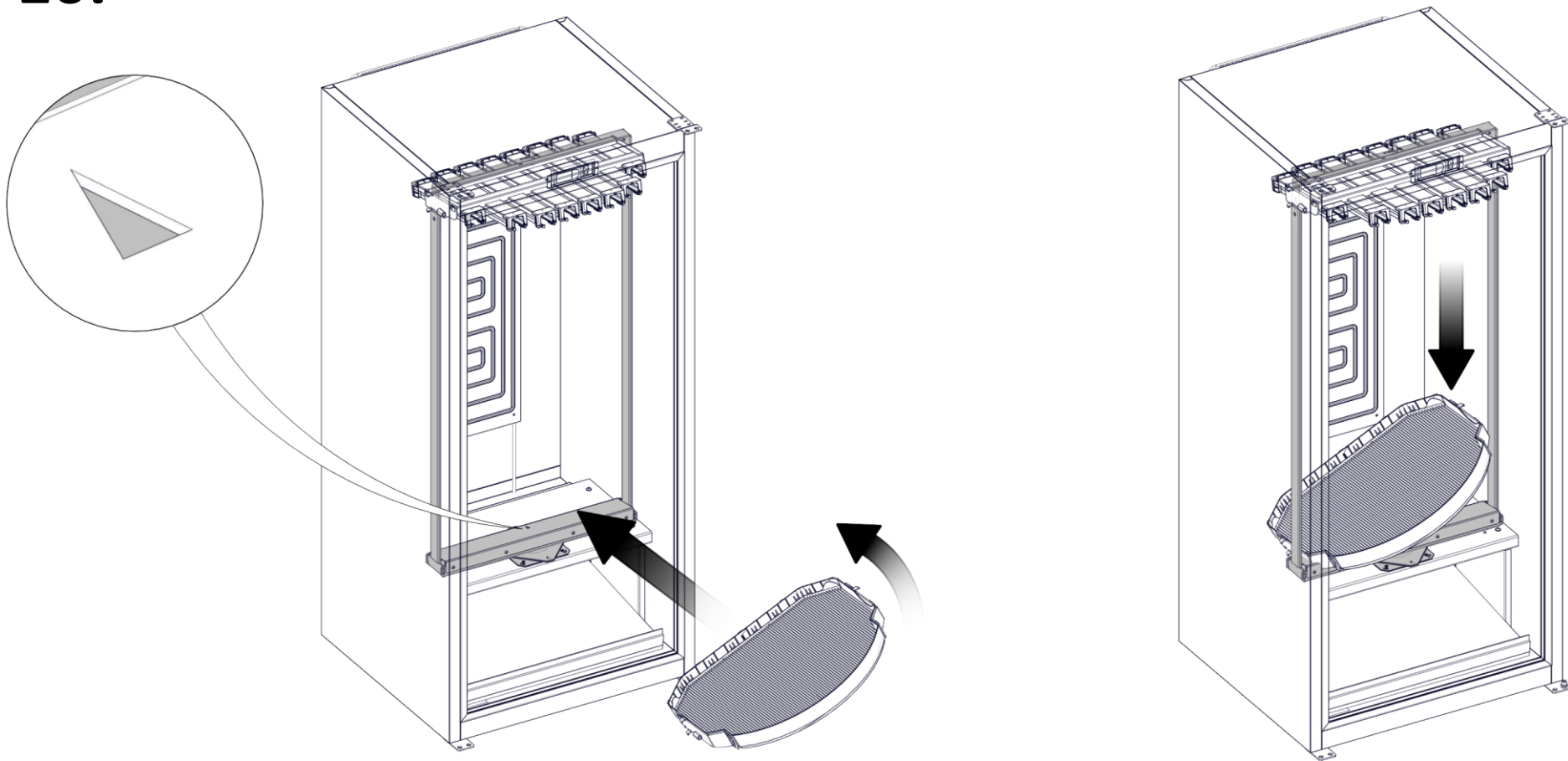


**13 mm**

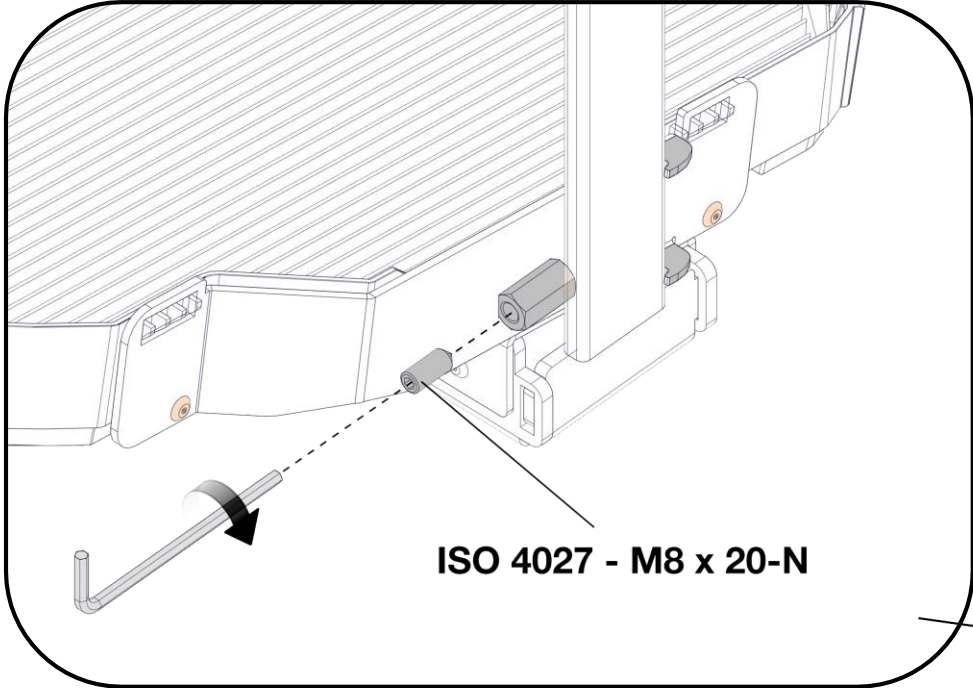
9.



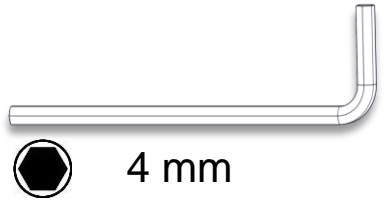
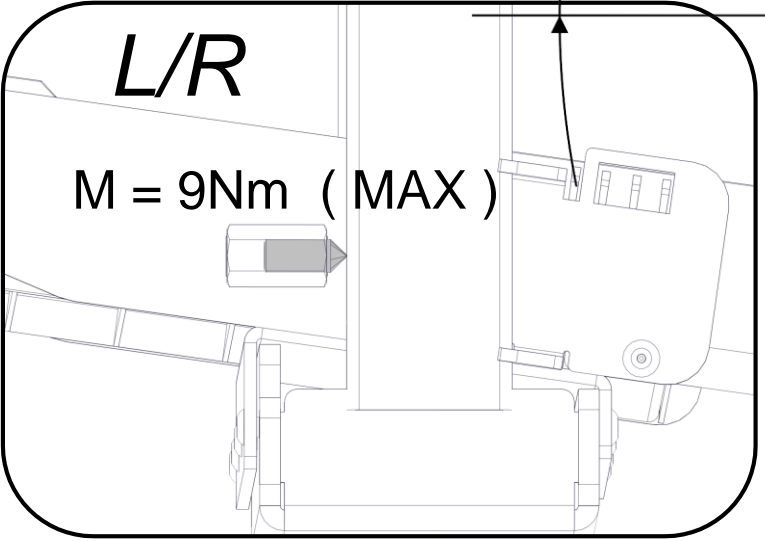
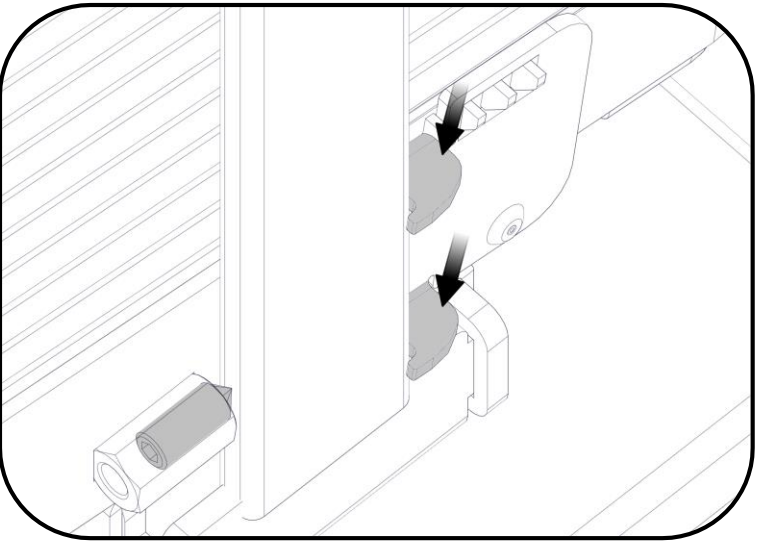
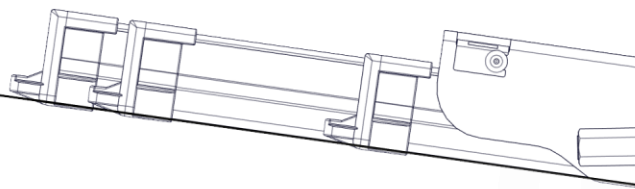
10.



11.

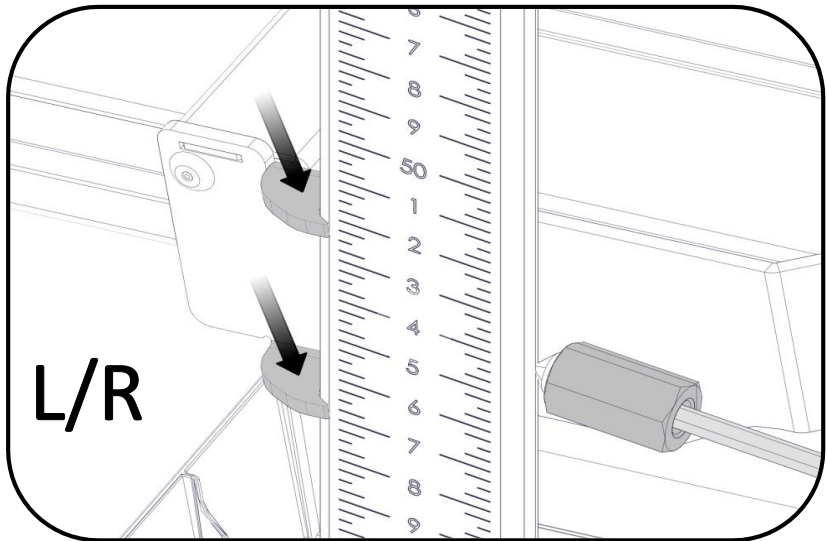
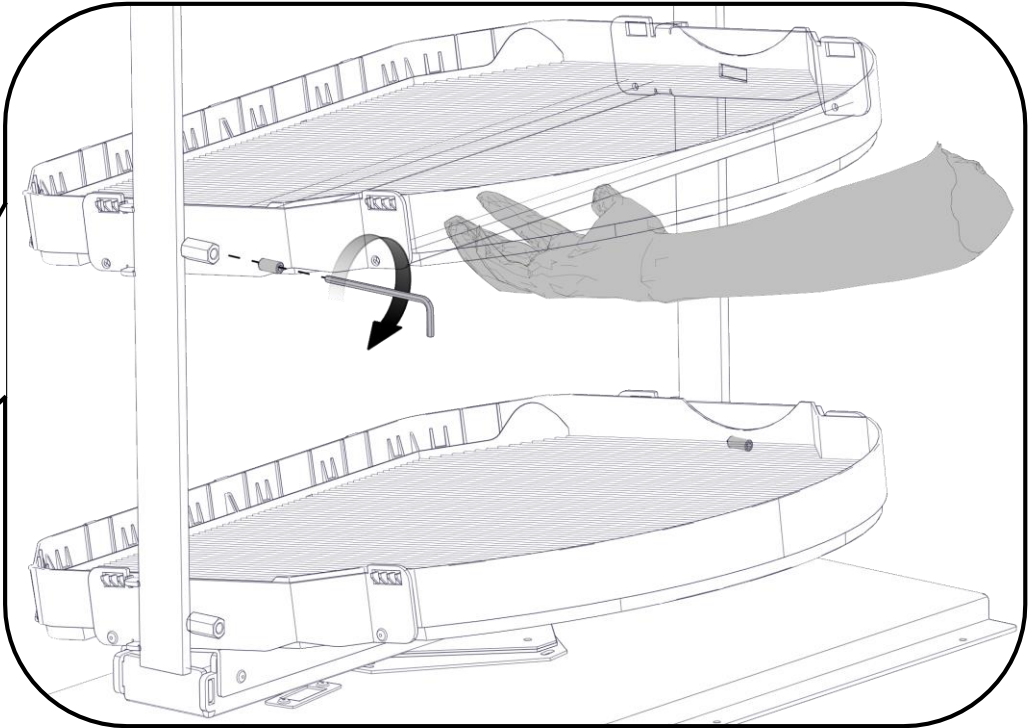
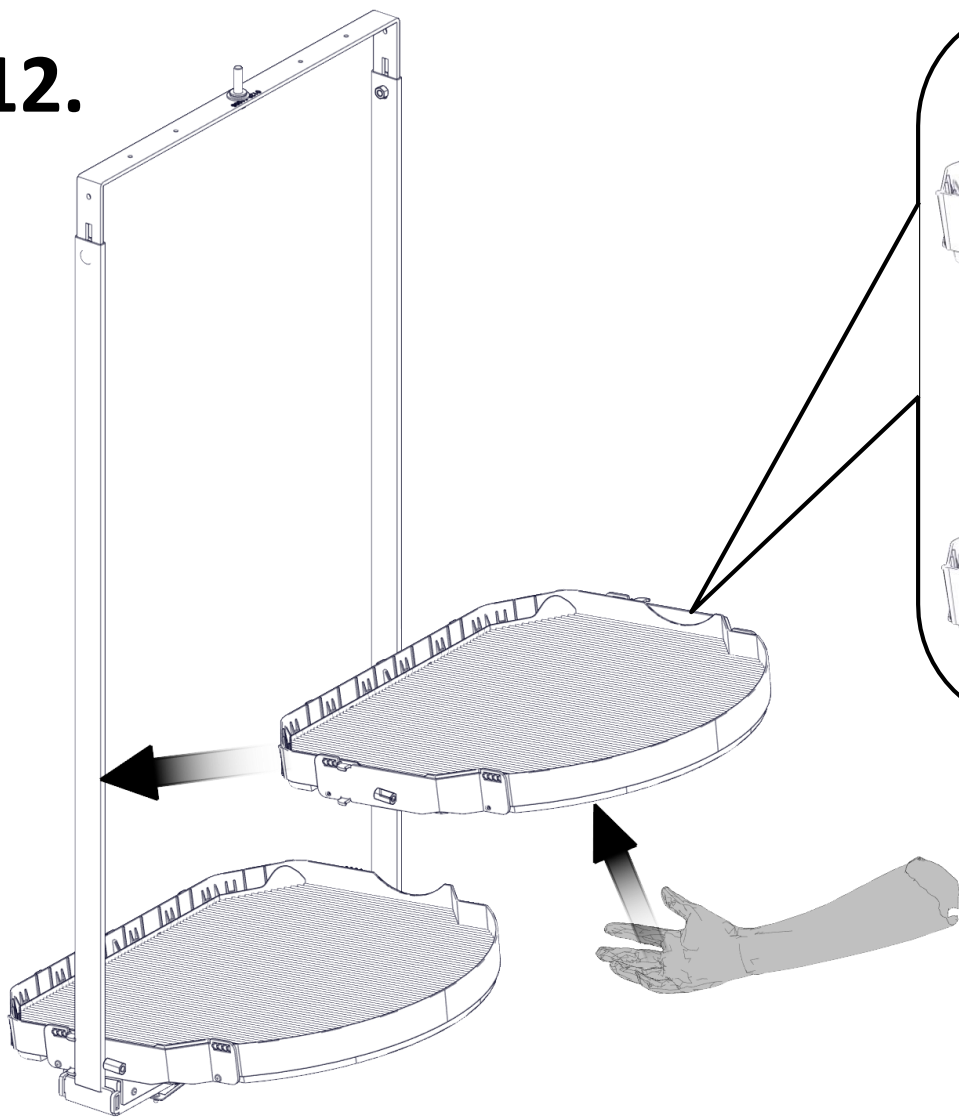


8°

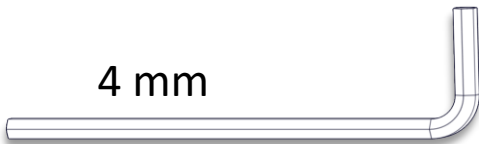




12.



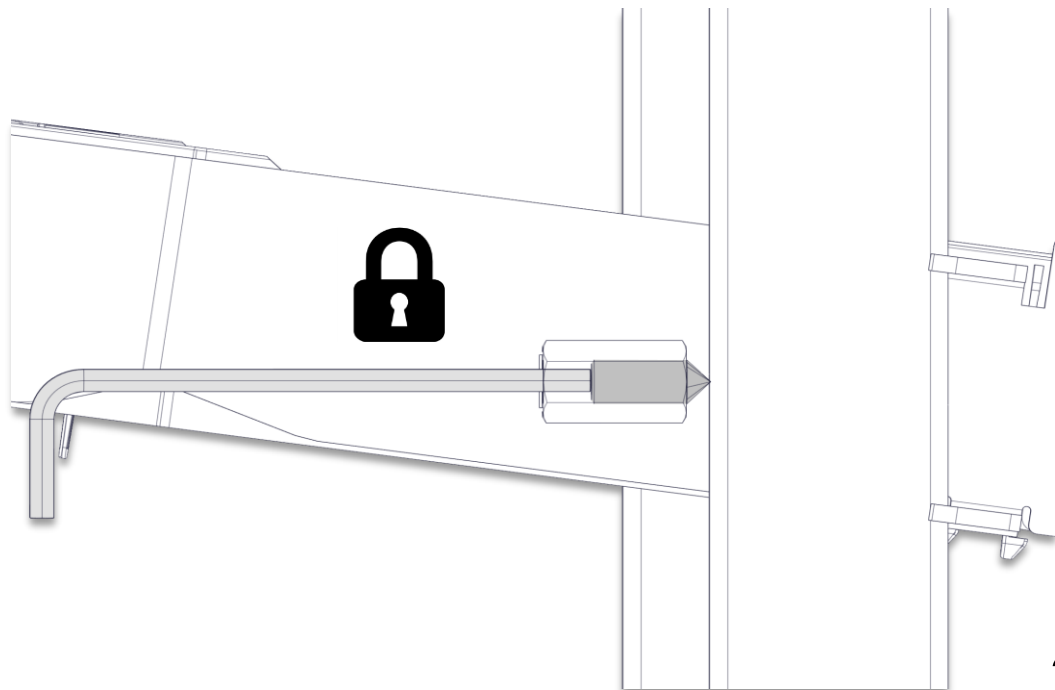
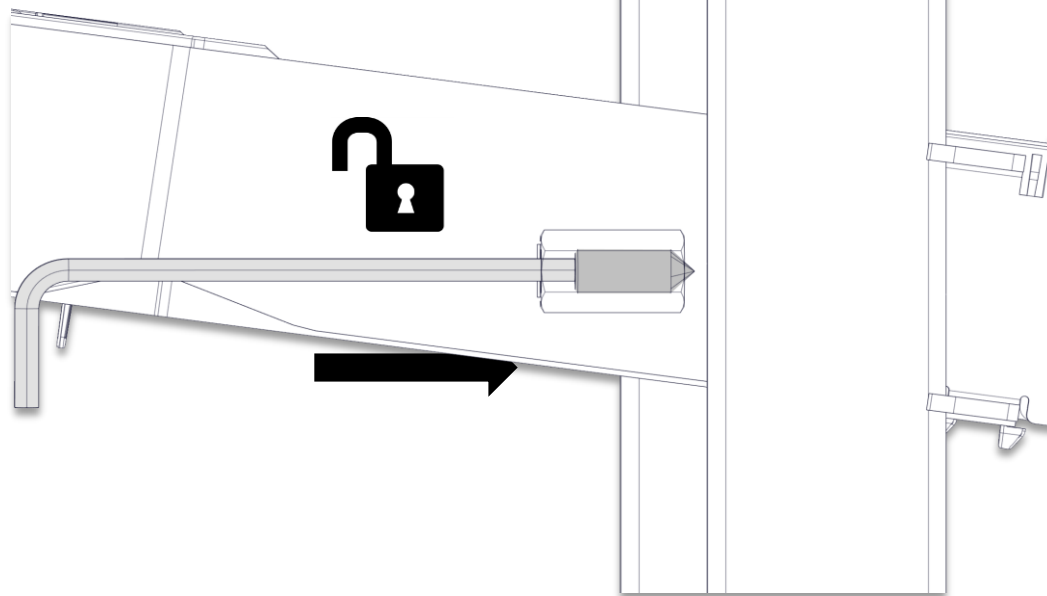
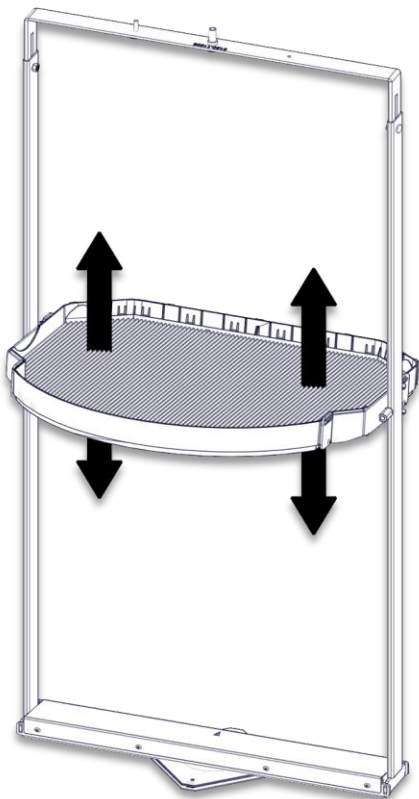
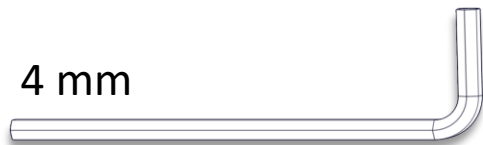
4 mm

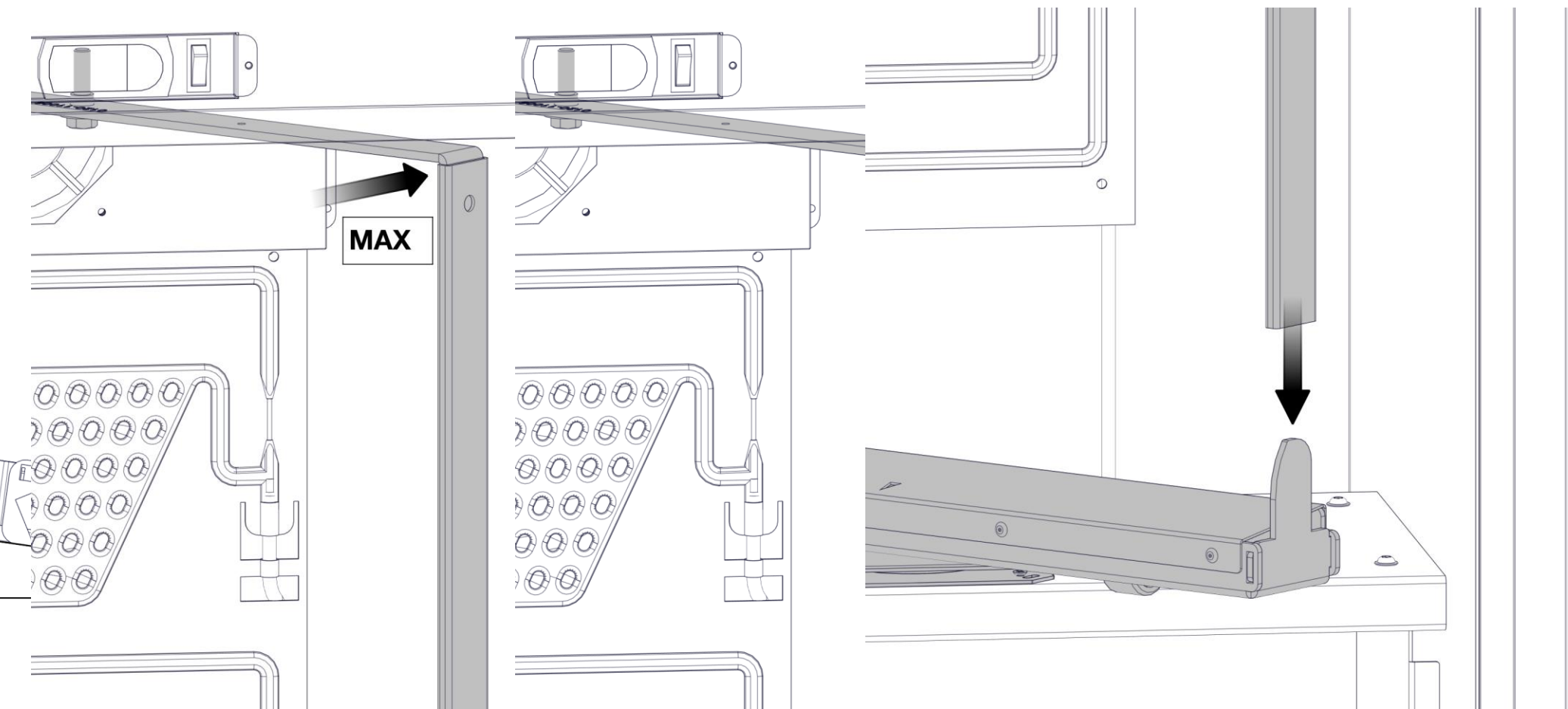


13.



4 mm

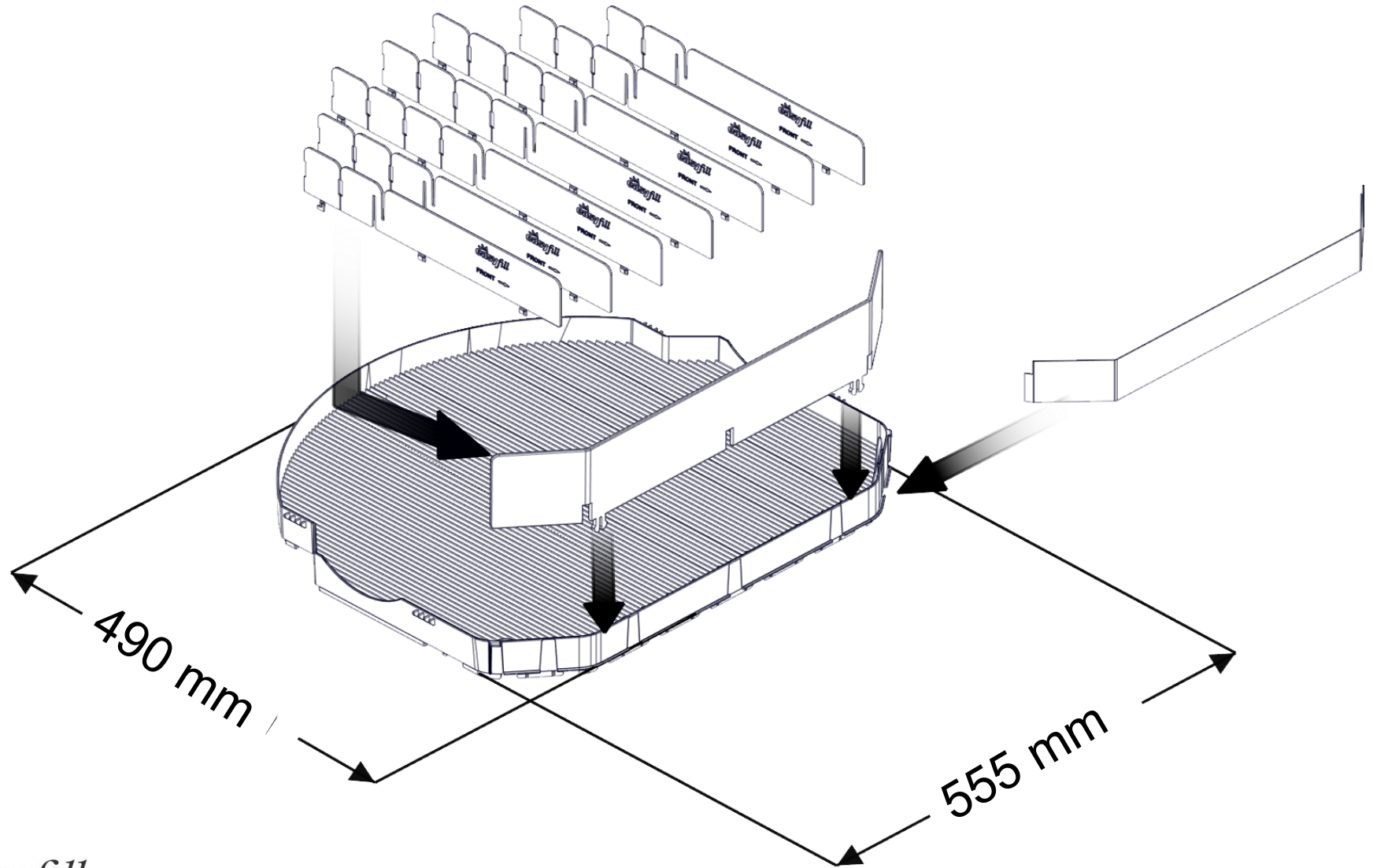




# INSTALLATION USER MANUAL OF UNIVERSAL SHELF 70



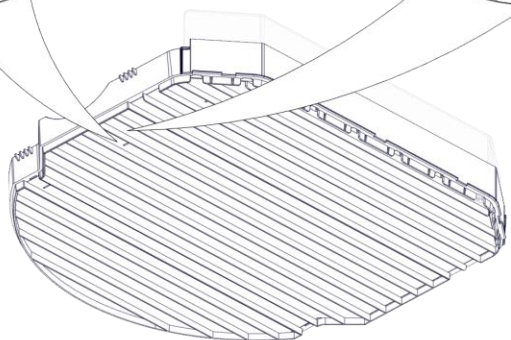
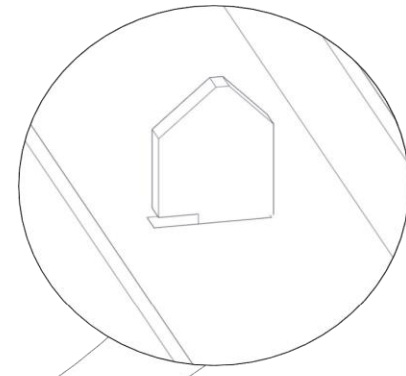
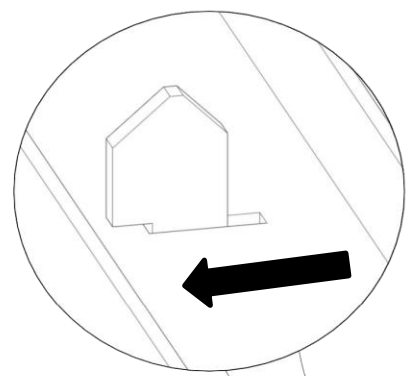
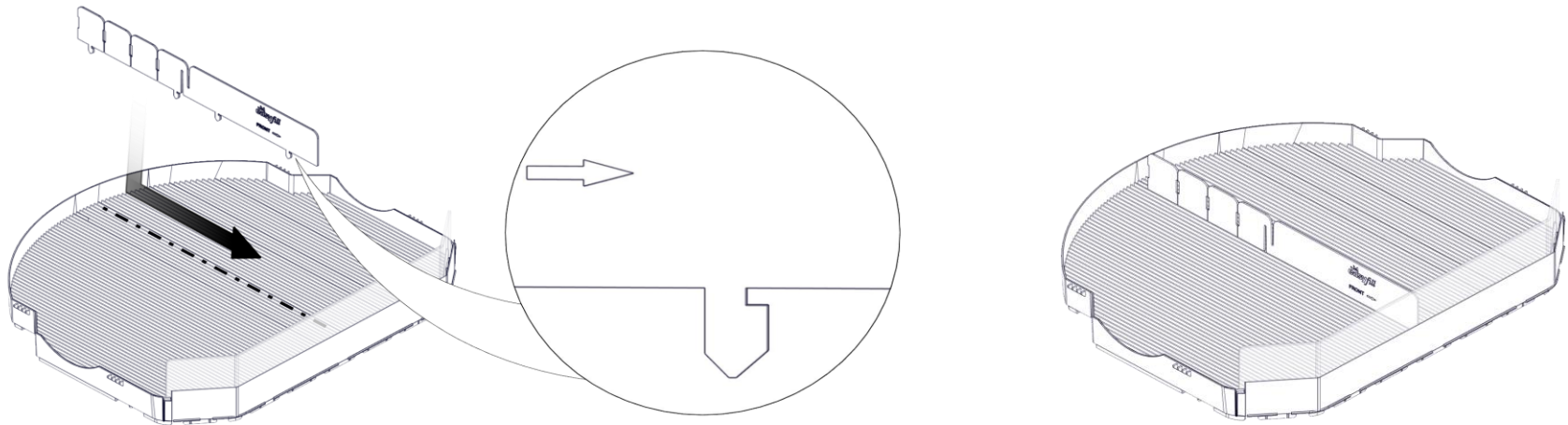
# INSTALLATION OF UNIVERSAL SHELF 70



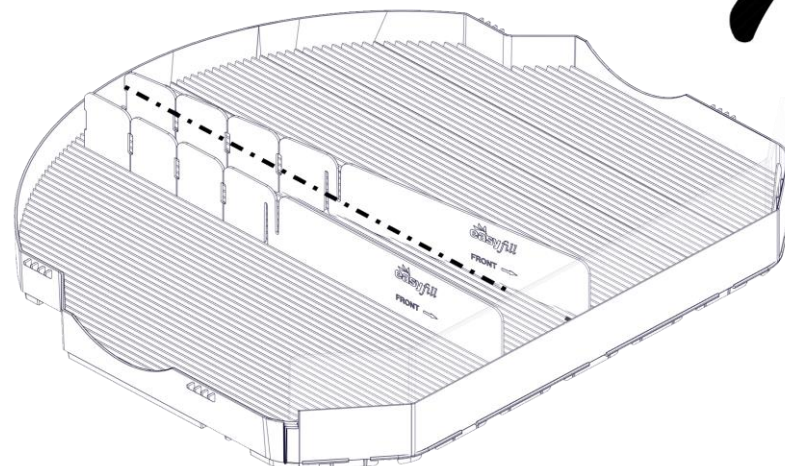
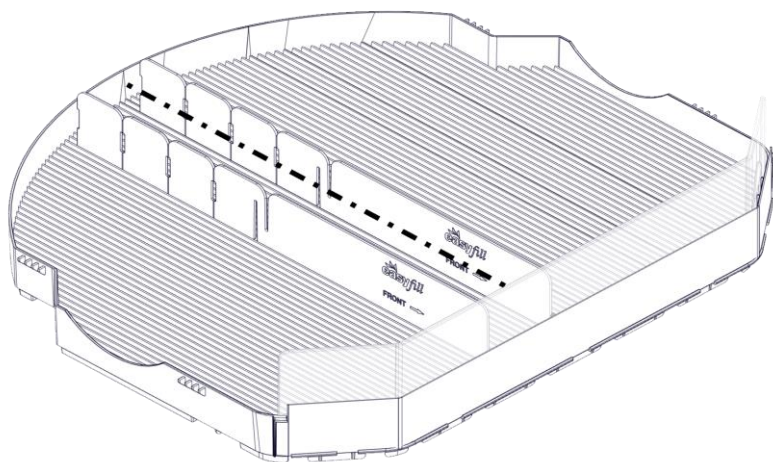
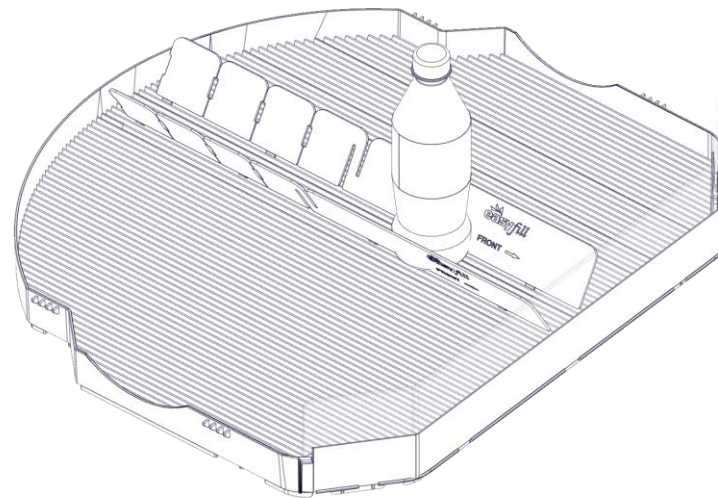
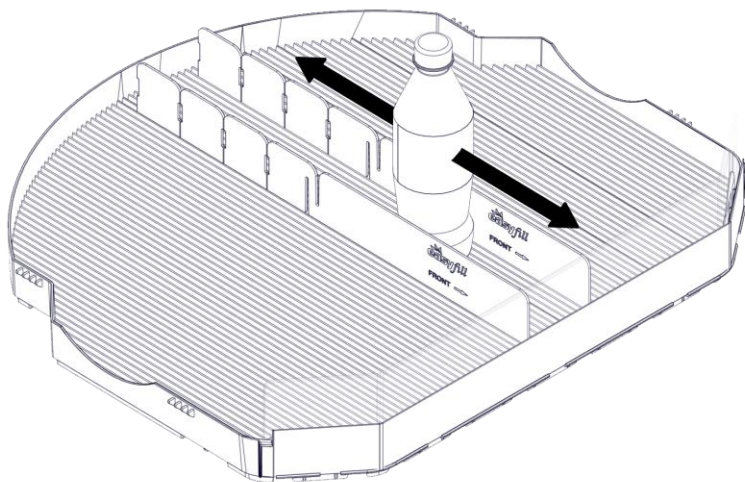
# ***SHELF ROTOSHELF 70 UNIVERSAL***

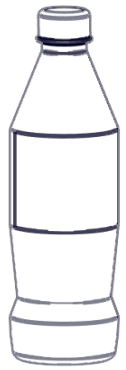
<b><i>PICTURE</i></b>	<b><i>PRODUCT NAME</i></b>	<b><i>ART.NO</i></b>	<b><i>QTY.</i></b>
	SHELF ROTOSHELF 70 UNIVERSAL - White	400418	1 pc
	FRONTSTOP UNIVERSAL 70 LOW H94mm	400431	1 pc
	FRONTSTOP UNIVERSAL 70 HIGH H 54mm	400603	1 pc
	DIVIDER UNIVERSAL 70-90	400393	7 pcs
	PLASTLABEL RS90F11 585*37*0,8	400450	1 pc







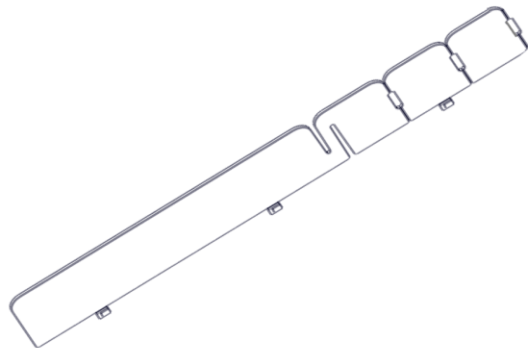
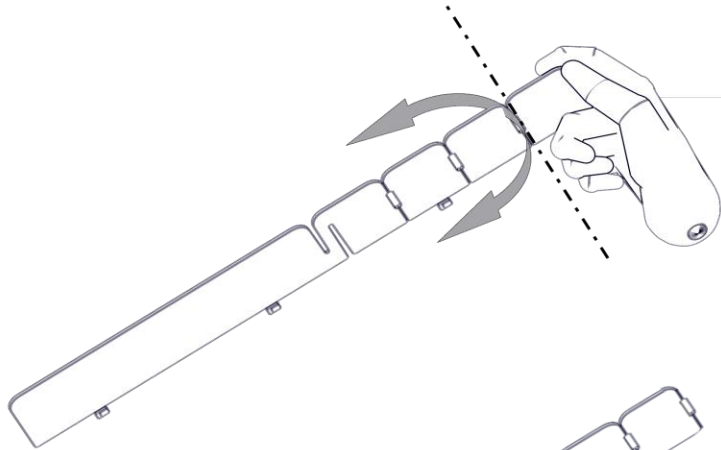
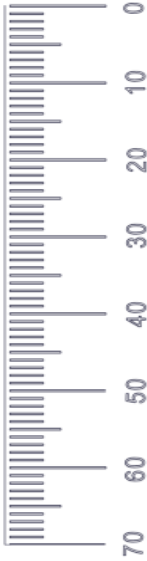
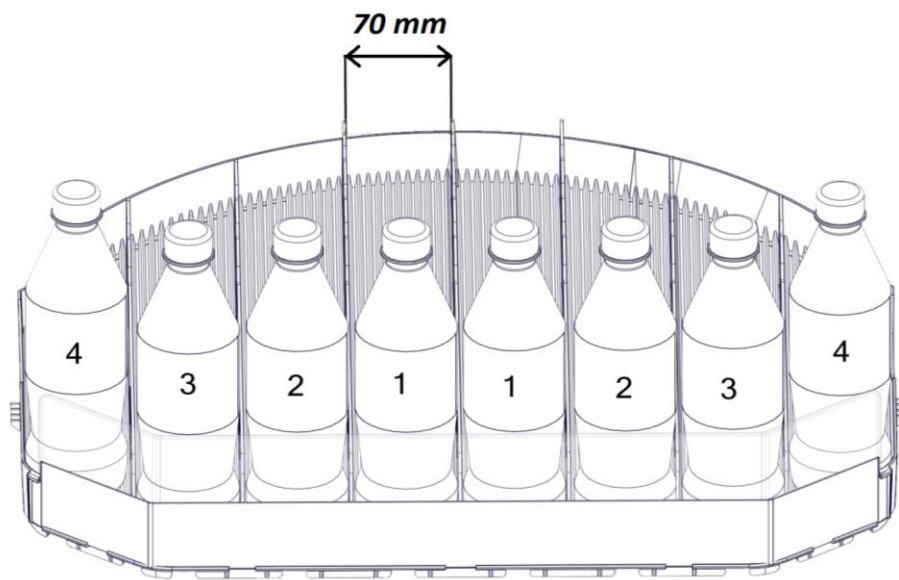
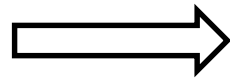




6, **8**, 10, 12

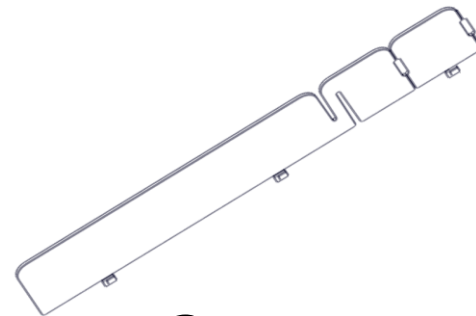
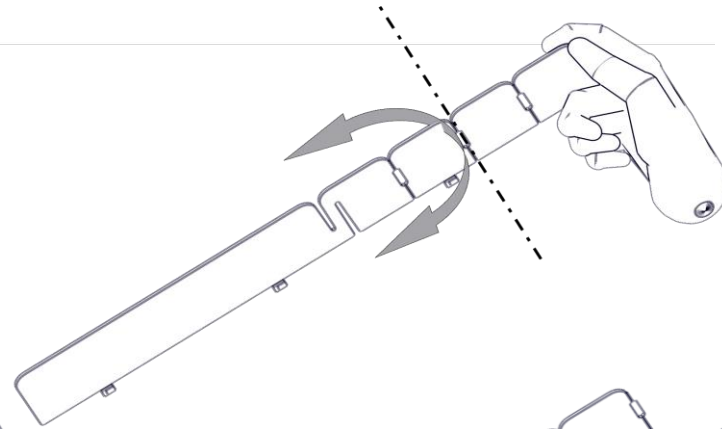
**8 x 0,5 L**

$\varnothing$  66 mm

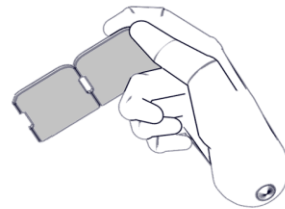


**easyfill**

**2x**

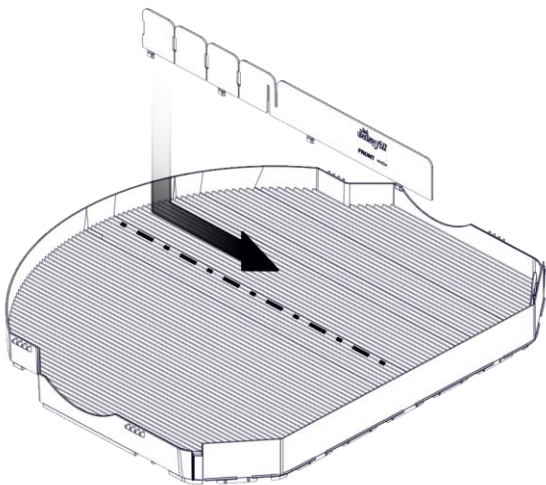


**2x**

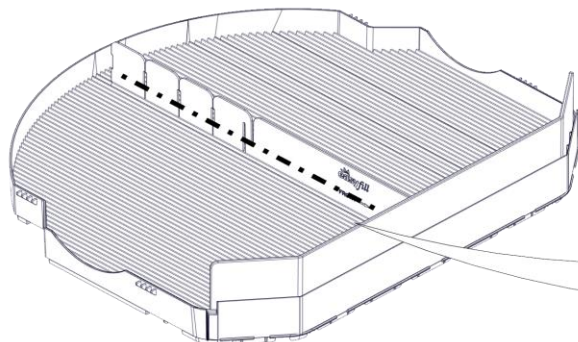




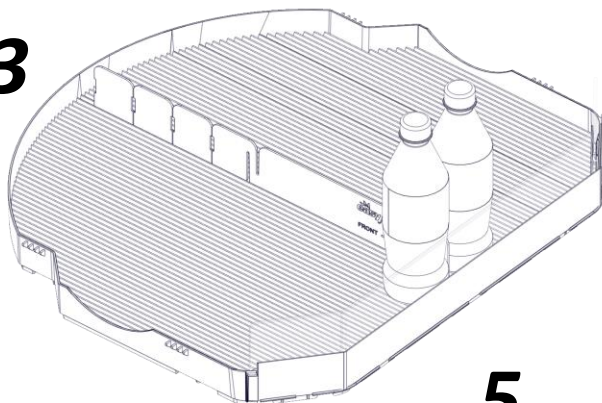
1



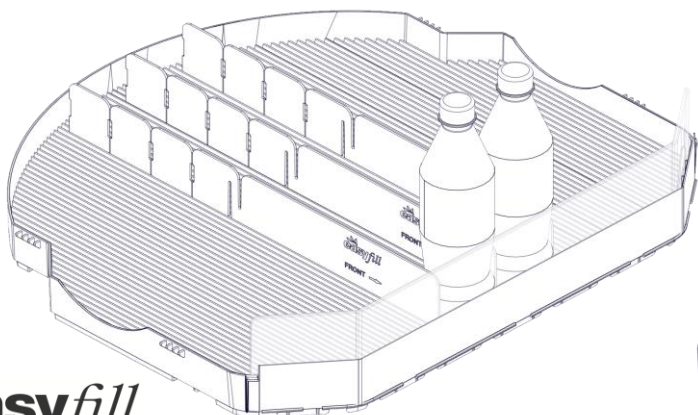
2



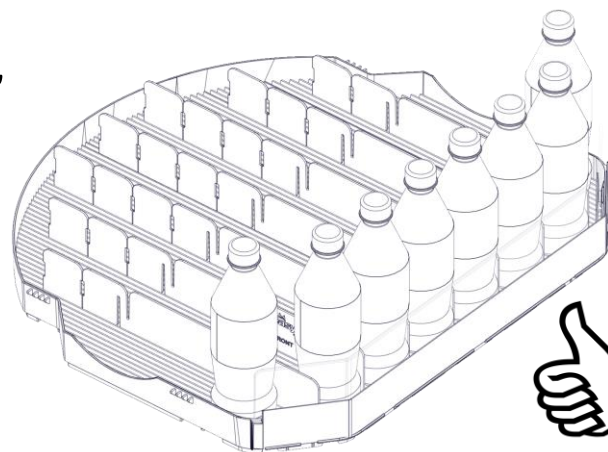
3



4

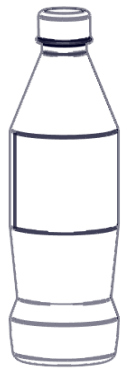


5



7x

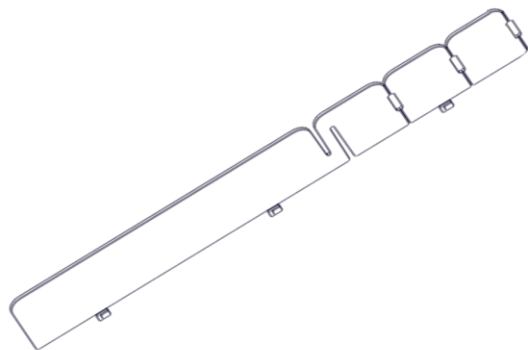
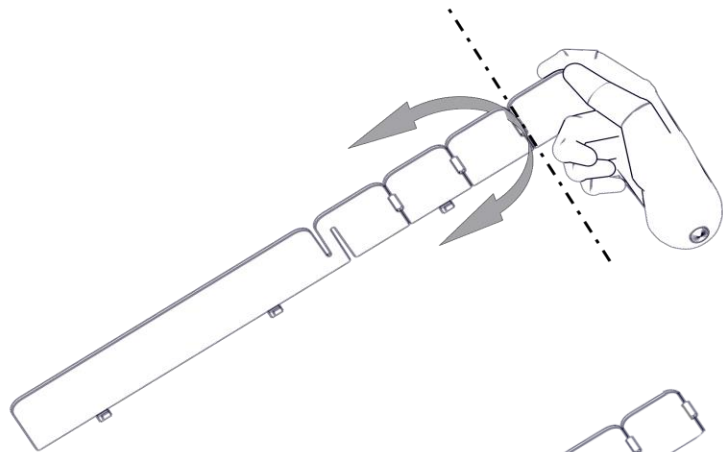
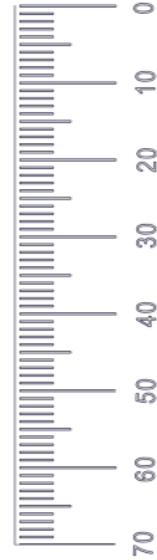
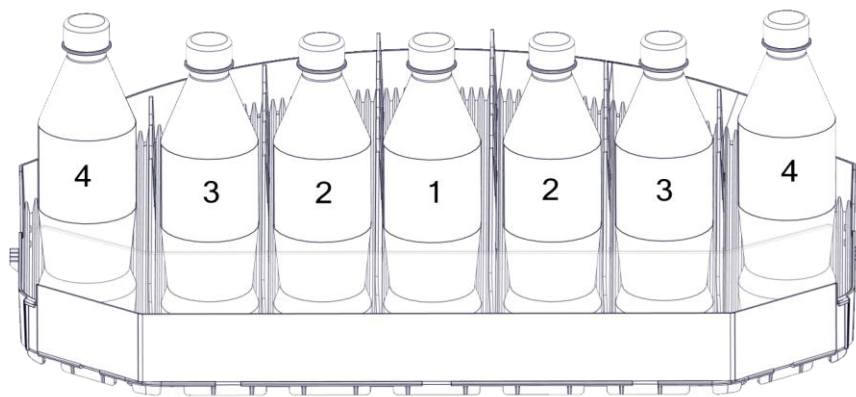
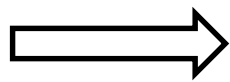




5, **7**, 9, 11

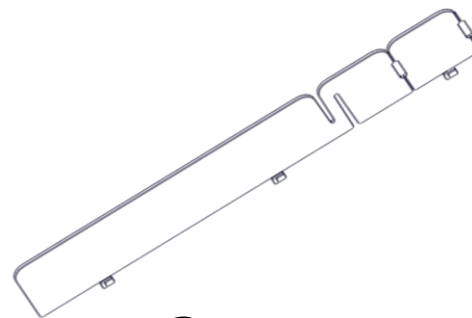
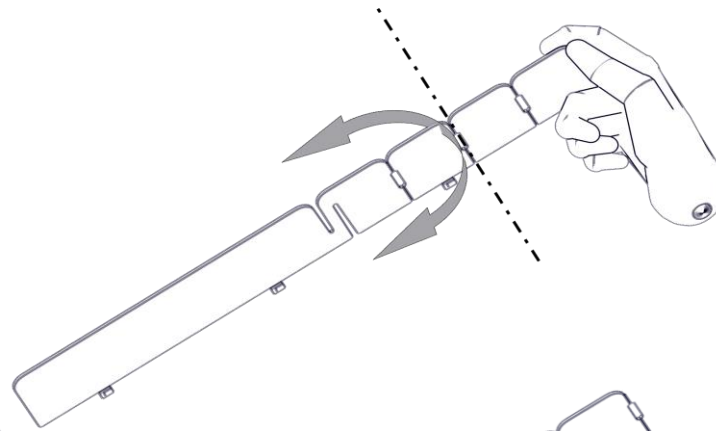
**7 x 0,7 L**

$\varnothing$  73 mm

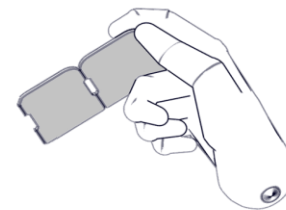


**easyfill**

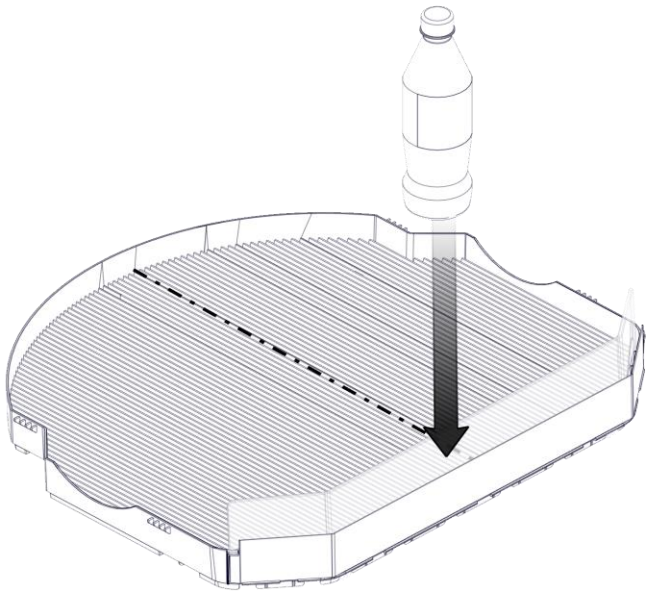
**2x**



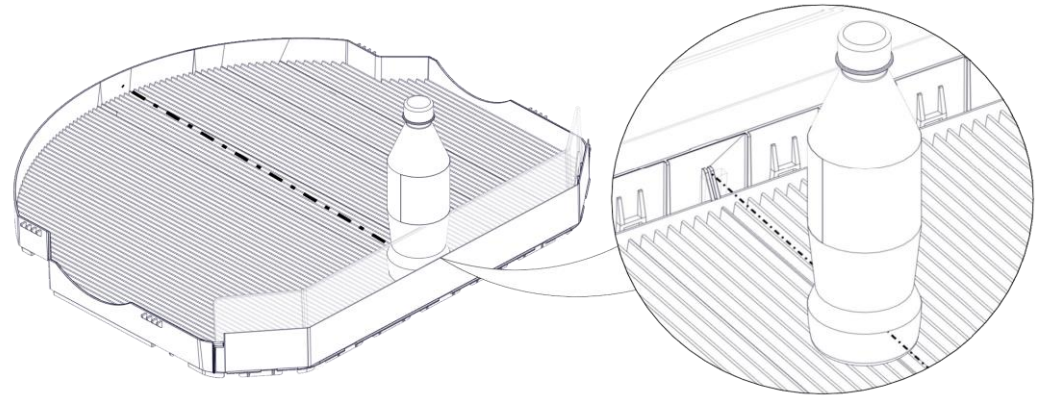
**2x**



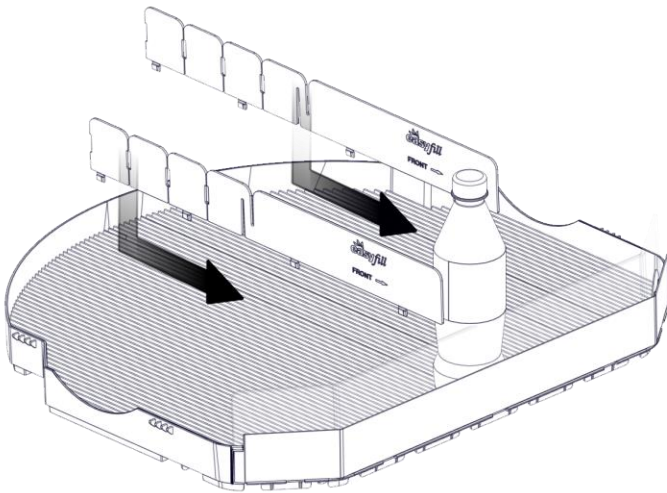
**1**



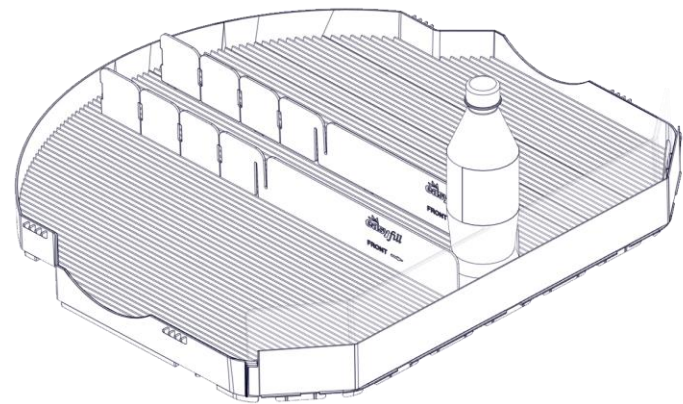
**2**



**3**

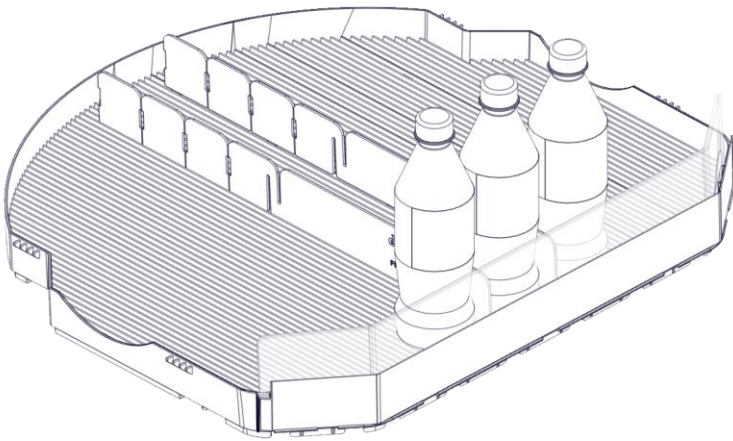


**4**

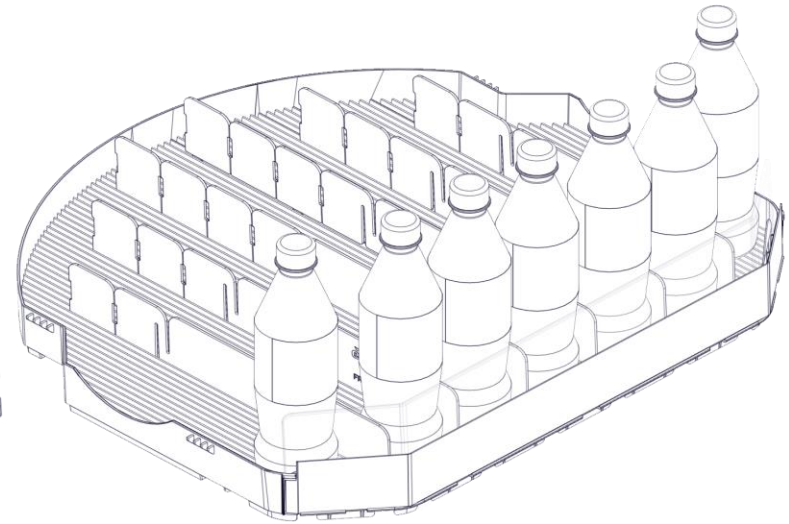
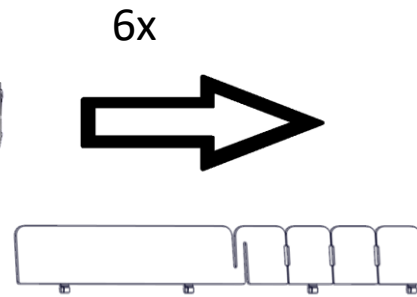


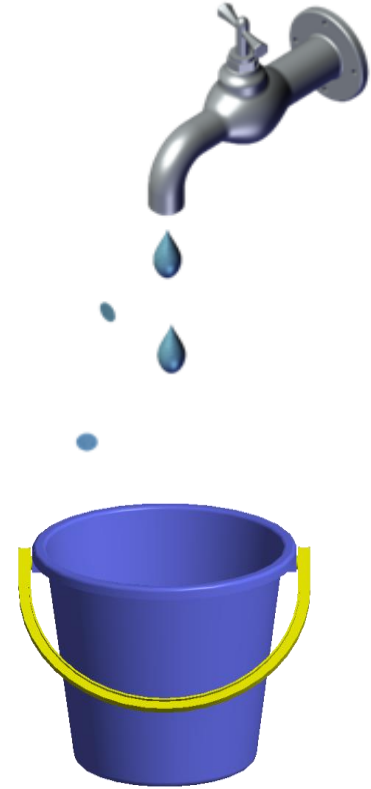
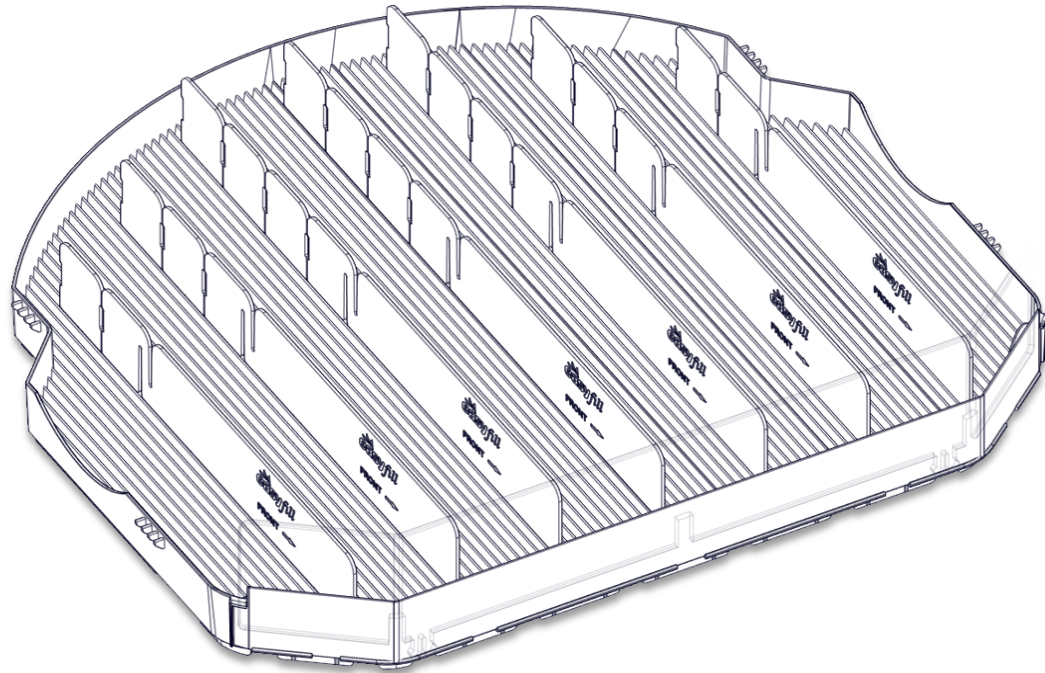


5

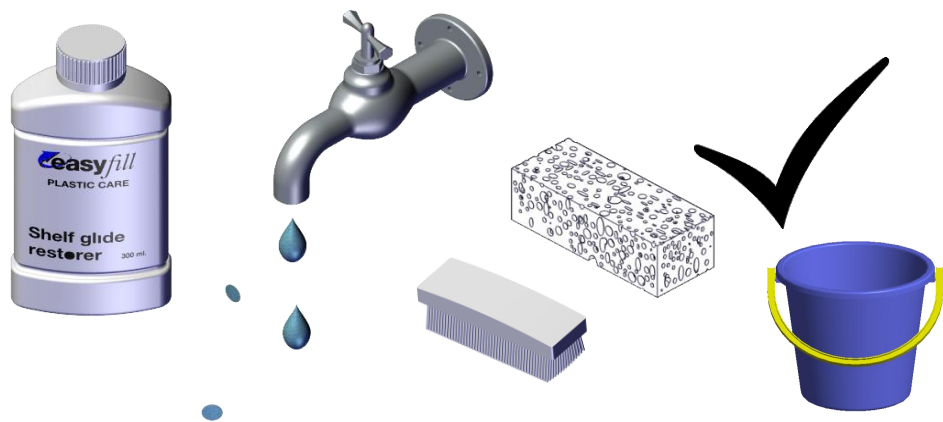


6









1



2

